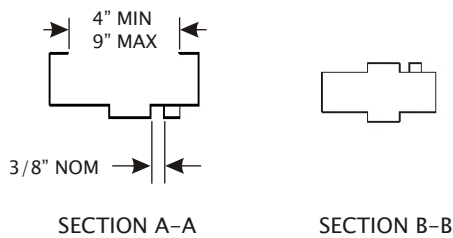
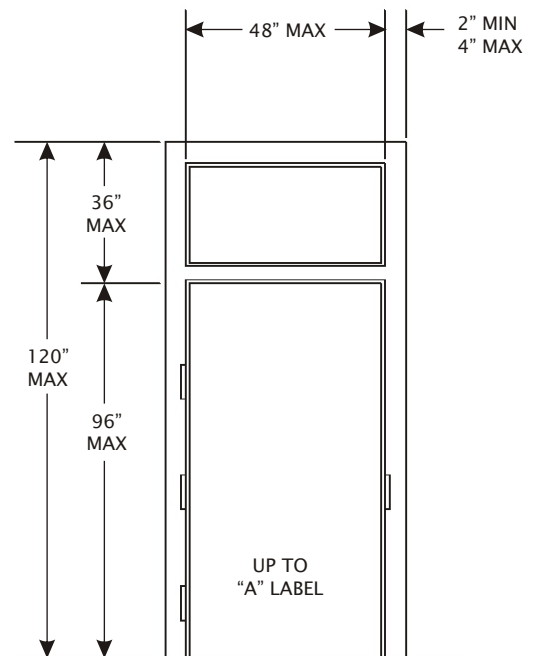
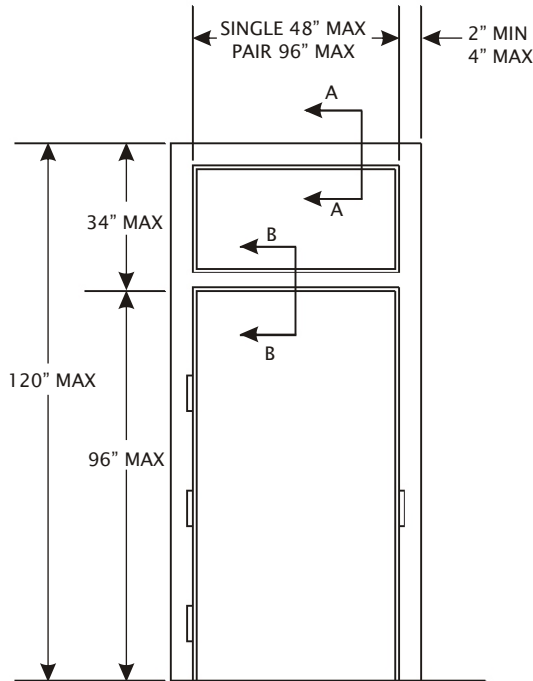


UNDERWRITERS LABORATORIES APPROVED TRANSOM FRAMES



MATERIAL: 16 GA C.R. STEEL
JAMB DEPTH: 4 MIN - 12 3/4" MAX
PANEL: 20 GA x 1 3/4"

MATERIAL: 16 GA C.R. STEEL
JAMB DEPTH: 4" MIN TO 9" MAX
PANEL: 20 GA MIN TO 16 GA
MAX STEEL OR 1296 SQ
INCHES MAX OF 1/4" WIRE
GLASS

