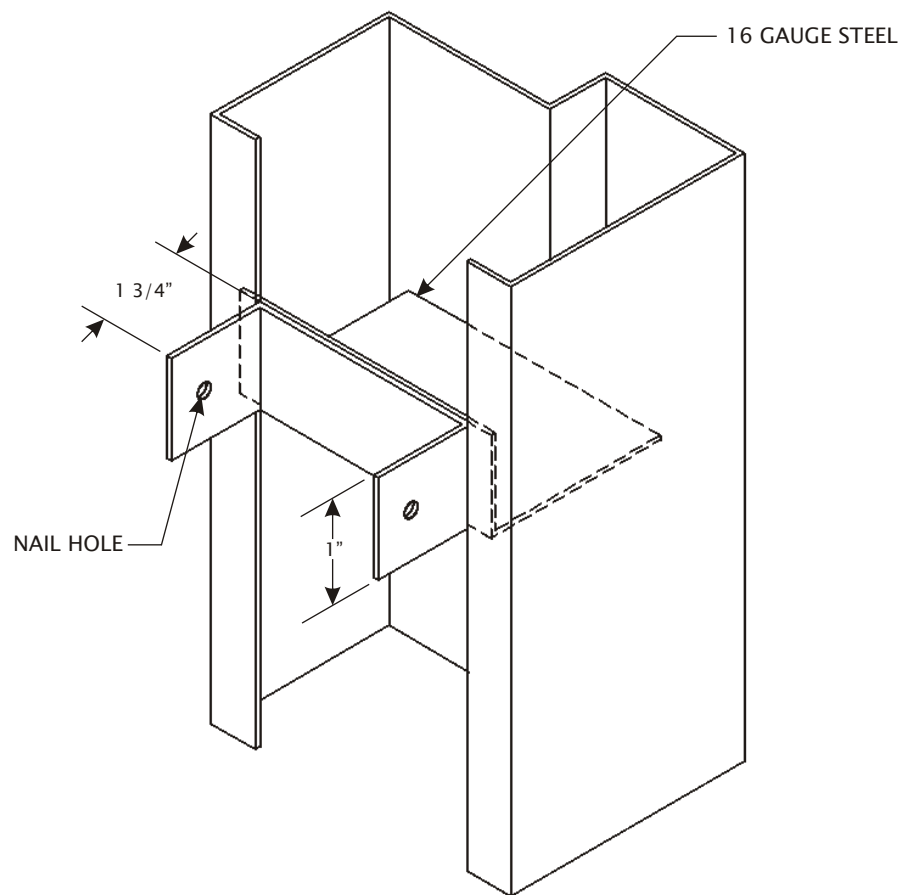


## FRAME ANCHOR 'ASW' -- STUD WALL



3" AND 3 3/4" FRAMES