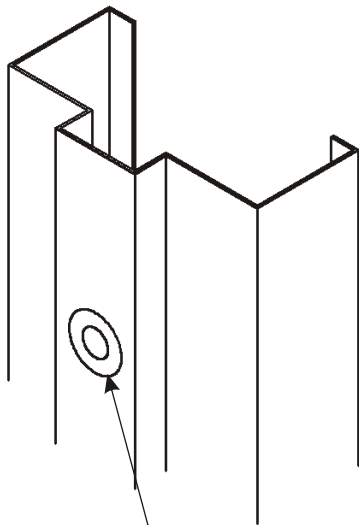


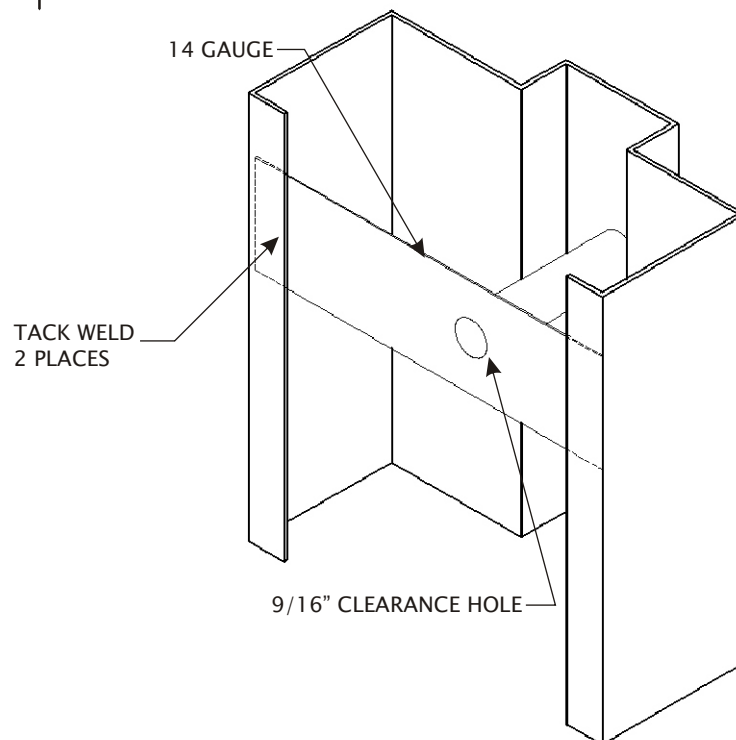
### FRAME ANCHOR 'AEW' FOR EXISTING WALLS

#### INSTALLATION PROCEDURE

1. DRILL 1/4" DIAMETER HOLE IN SOFFIT AS AN AID TO LOCATE ANCHOR.
2. ALIGN 1/4" HOLE IN ANCHOR WITH HOLE DRILLED IN STEP 1 AND WELD ANCHOR TO FRAME.
3. DRILL 7/16" HOLE THROUGH FRAME AND ANCHOR.
4. COUNTERSINK FOR 3/8" DIAMETER FLAT HEAD MACHINE BOLT.



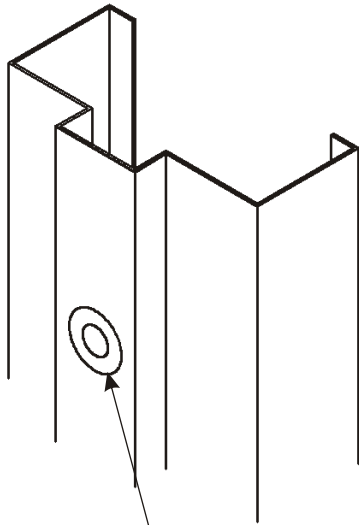
SEE STEP 4  
FOR CTSK  
DETAIL



## FRAME ANCHOR 'AEW' FOR EXISTING WALLS

### INSTALLATION PROCEDURE

1. DRILL 1/4" DIAMETER HOLE IN SOFFIT AS AN AID TO LOCATE ANCHOR.
2. ALIGN 1/4" HOLE IN ANCHOR WITH HOLE DRILLED IN STEP 1 AND WELD ANCHOR TO FRAME.
3. DRILL 7/16" HOLE THROUGH FRAME AND ANCHOR.
4. COUNTERSINK FOR 3/8" DIAMETER FLAT HEAD MACHINE BOLT.



SEE STEP 4  
FOR CTSK  
DETAIL

