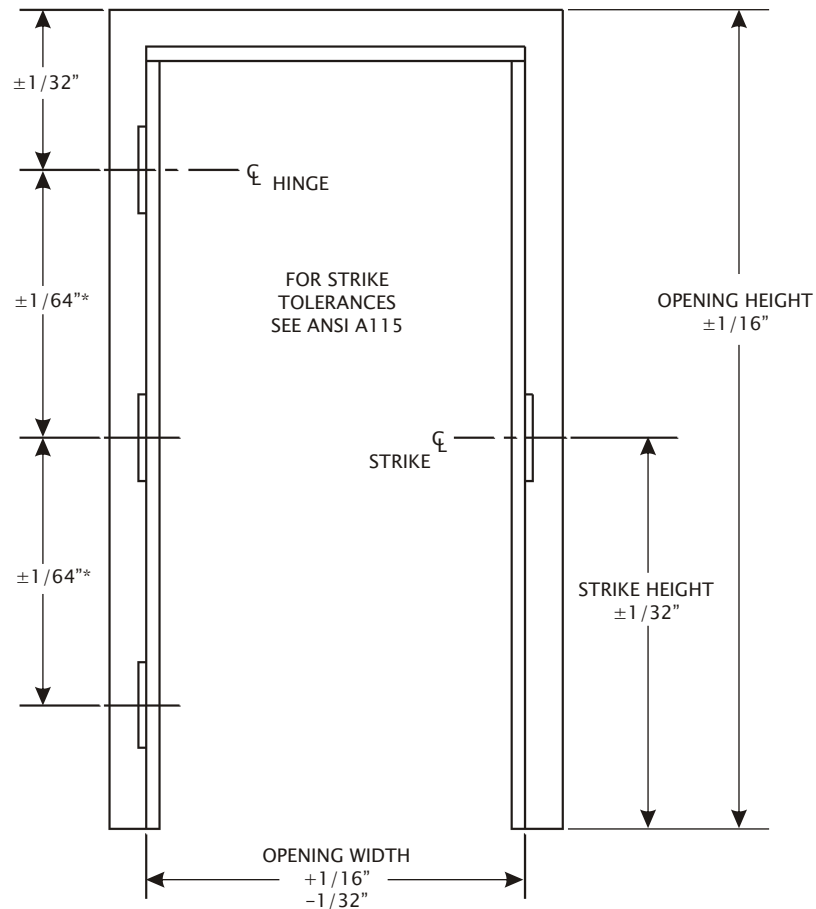
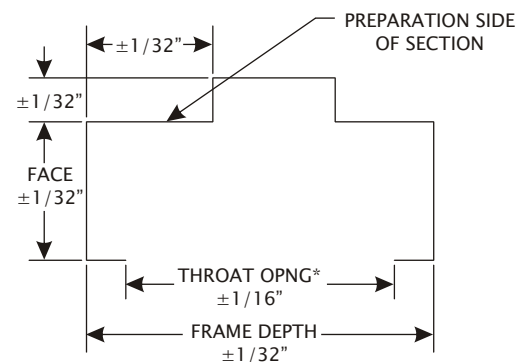
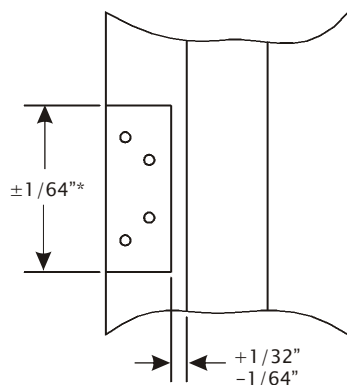


## FRAME TOLERANCES



### HINGE PREPARATION



\* TOLERANCES BETWEEN HINGE CENTERLINES ARE NON-ACCUMULATIVE

\*\*BASED ON NOMINAL HINGE HEIGHT  $+1/32"$



# MESKER

www.meskerdoor.com  
256-851-6670, 256-852-5846