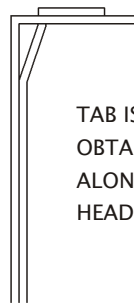
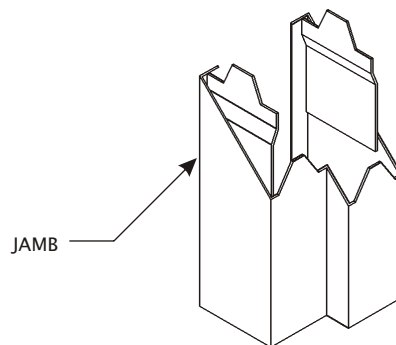
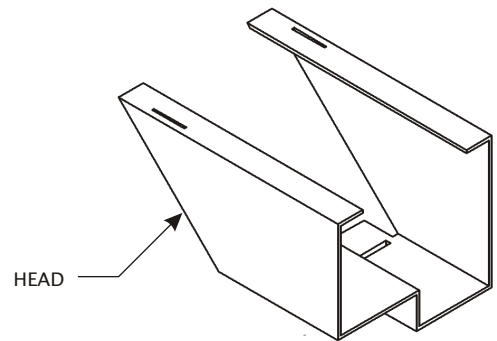
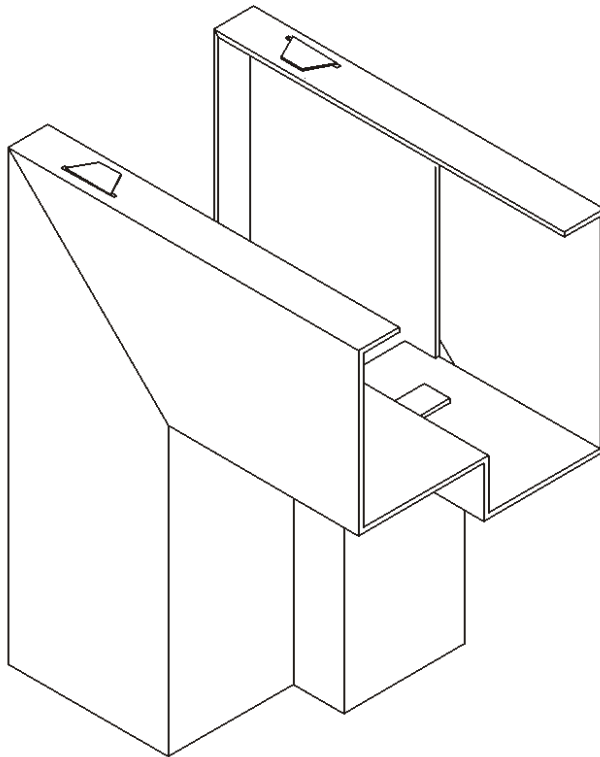


CORNER DETAIL KNOCKED DOWN FRAMES 3" AND 3 3/4" JAMB DEPTH



TAB IS OFFSET TO
OBTAIN SMOOTH BEND
ALONG TOP OF FRAME
HEAD

SECTION THRU TAB