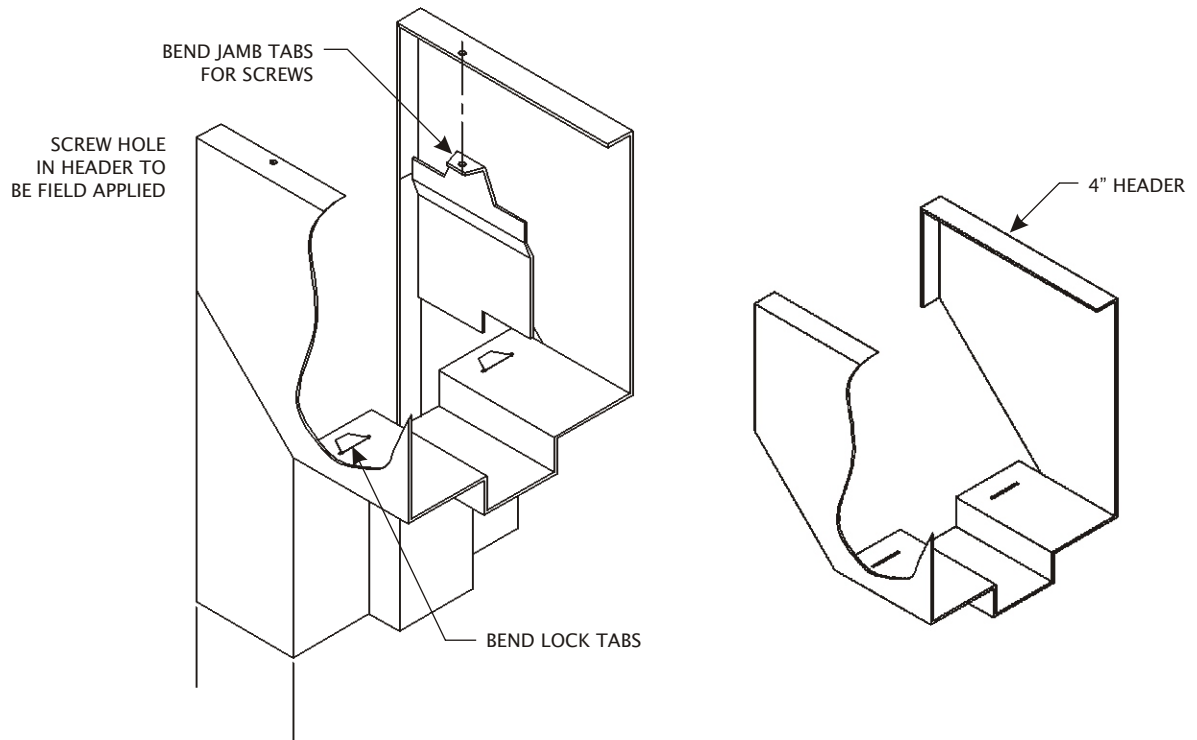


CORNER ASSEMBLY FOR 4" HEADER



DOUBLE RABBET ONLY

