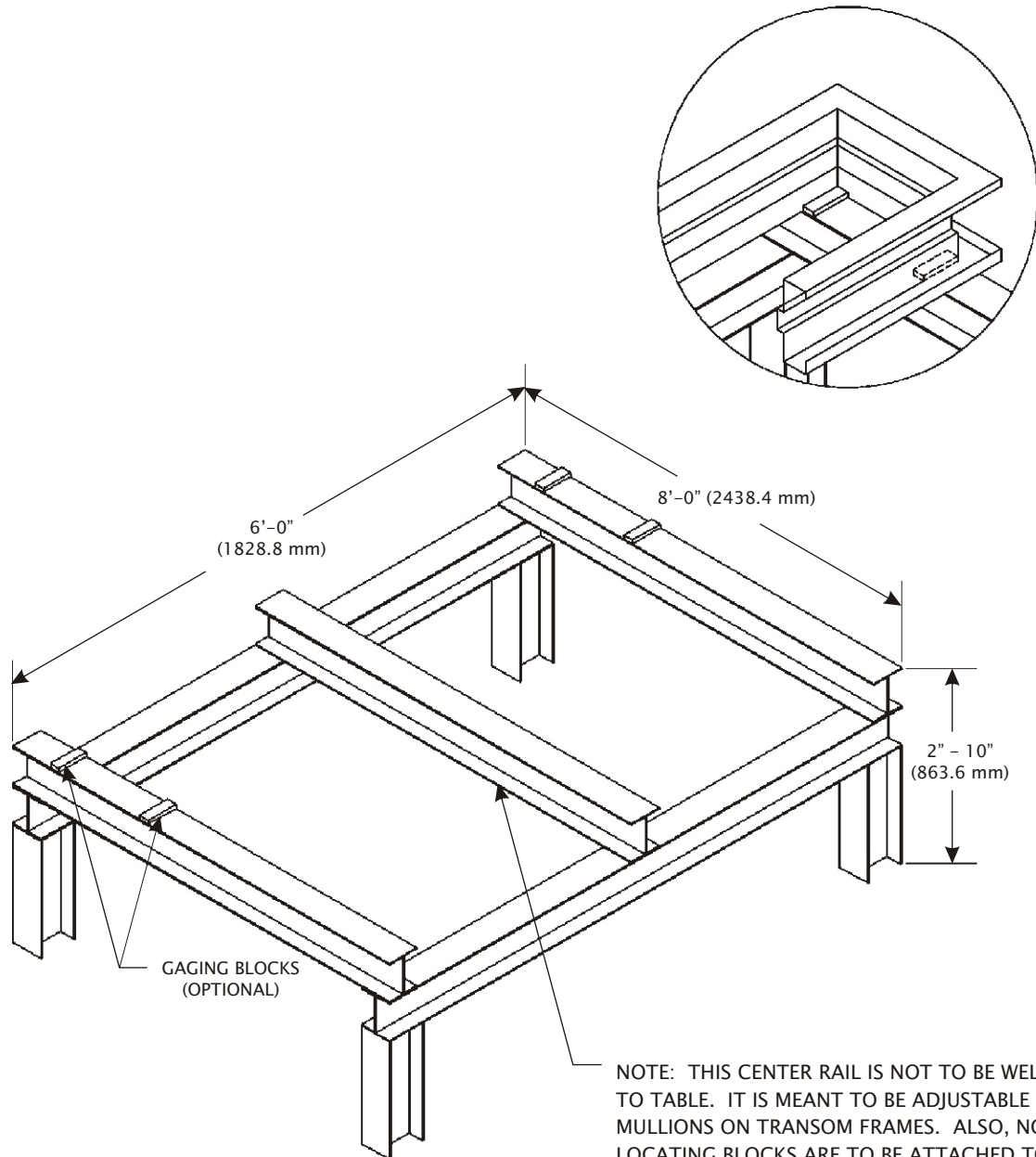


### WELDING TABLE



NOTE: THIS CENTER RAIL IS NOT TO BE WELDED TO TABLE. IT IS MEANT TO BE ADJUSTABLE FOR MULLIONS ON TRANSOM FRAMES. ALSO, NO LOCATING BLOCKS ARE TO BE ATTACHED TO THIS RAIL.