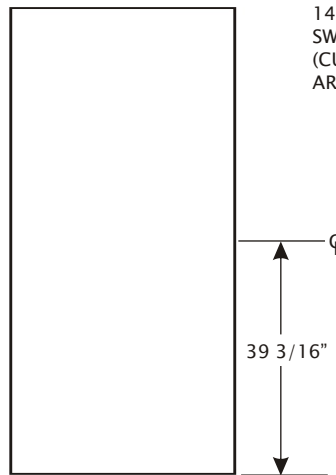


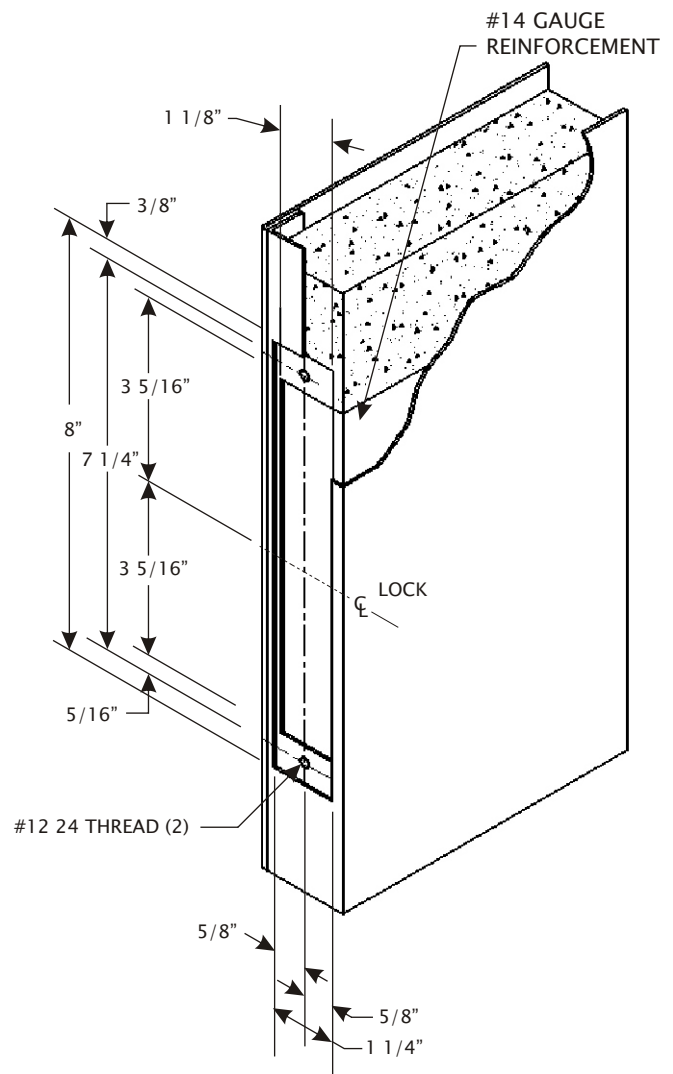
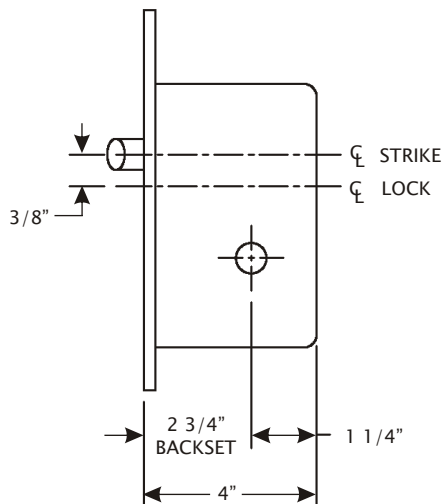
# TECHNICAL DATA SHEET

DS-151-3

## GOVERNMENT 86 MORTISE LOCK (MB) PREPARATION - 1 3/4" DOORS



14 GAUGE DOOR SHOWN  
SWINGERDOR SIMILAR  
(CUT OUTS AND DIMENSIONS  
ARE THE SAME)



HARDWARE  
January 2007



**MESKER**  
www.meskerdoor.com  
256-851-6670, 256-852-5846