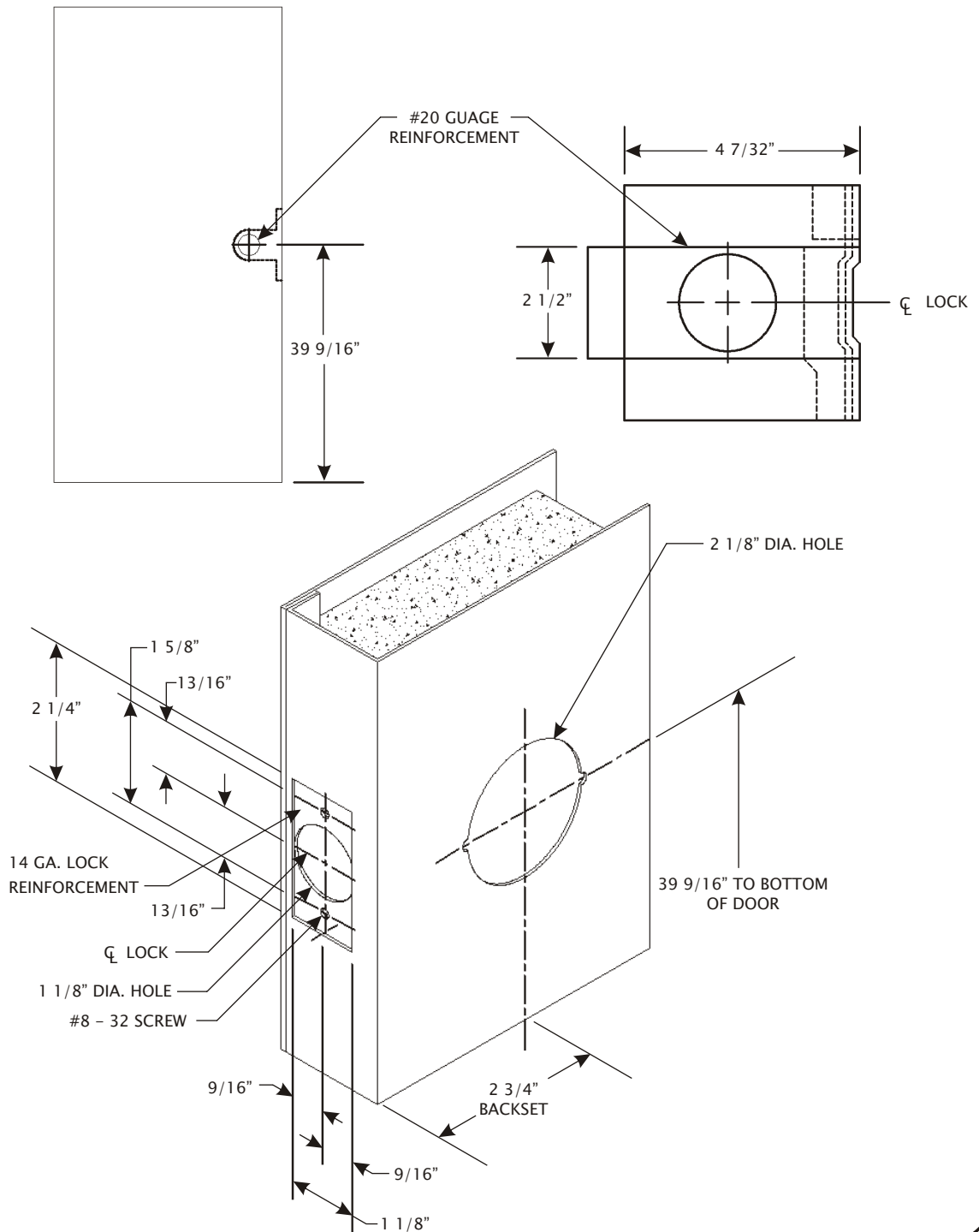


# TECHNICAL DATA SHEET DS-151-1

## GOVERNMENT NO. 161 CYLINDRICAL (C4) LOCK PREPARATION -- 1 3/4" DOORS



**HARDWARE**  
January 2007



**MESKER**  
www.meskerdoor.com  
256-851-6670, 256-852-5846