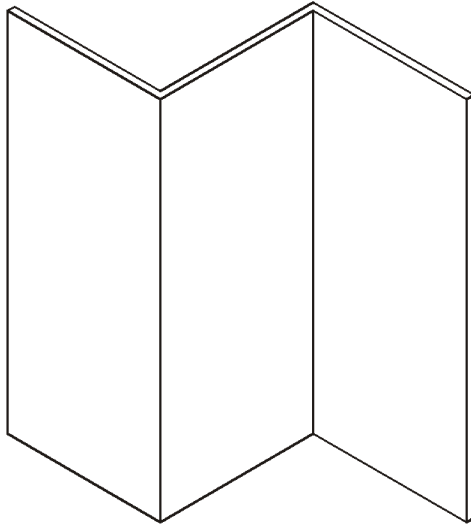
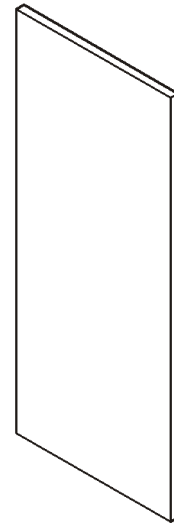


## ASTRAGALS

THIS DATA SHEET DETAILS THE TWO BASIC TYPES OF ASTRAGALS  
REQUIRED FOR PAIRS OF DOORS



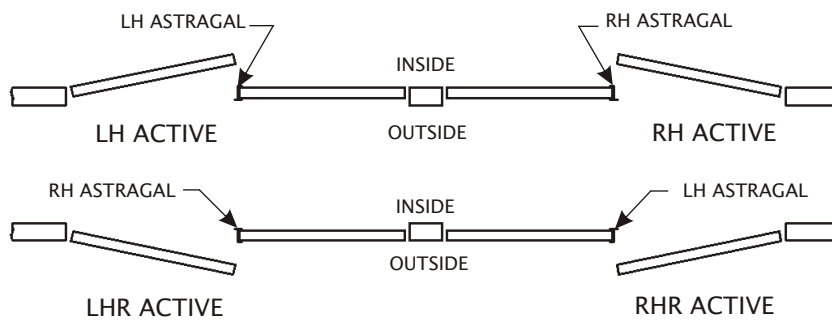
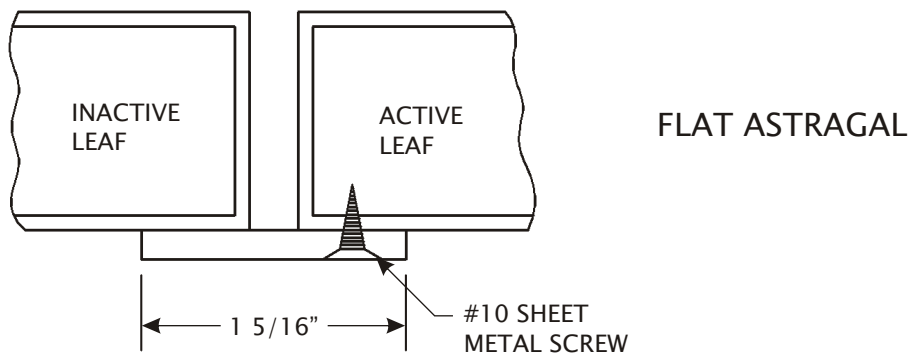
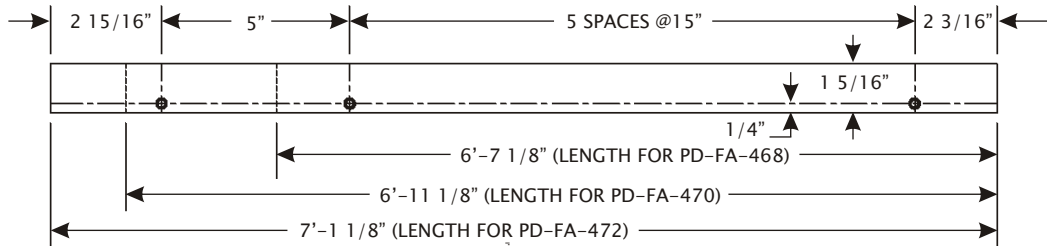
'Z'



FLAT

# TECHNICAL DATA SHEET

DS-157-2



## ASTRAGAL HANDING

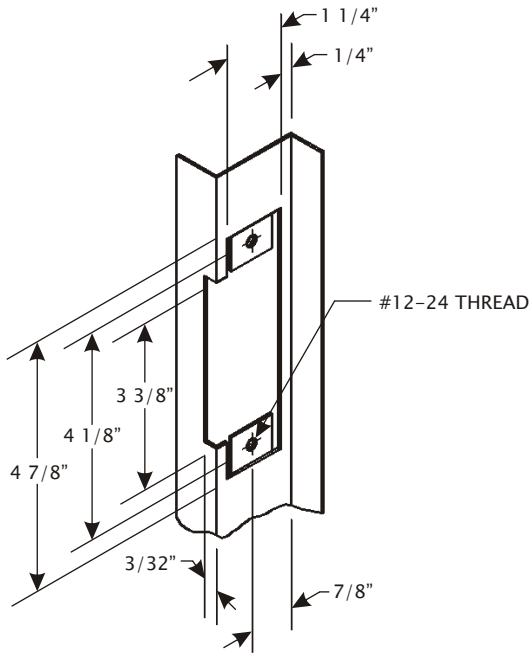
HARDWARE  
January 2007



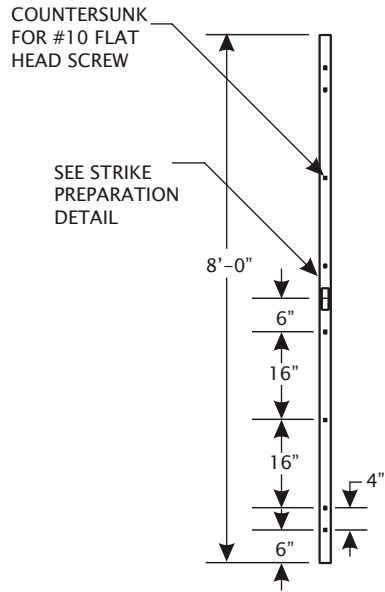
**MESKER**  
www.meskerdoor.com  
256-851-6670, 256-852-5846

# TECHNICAL DATA SHEET

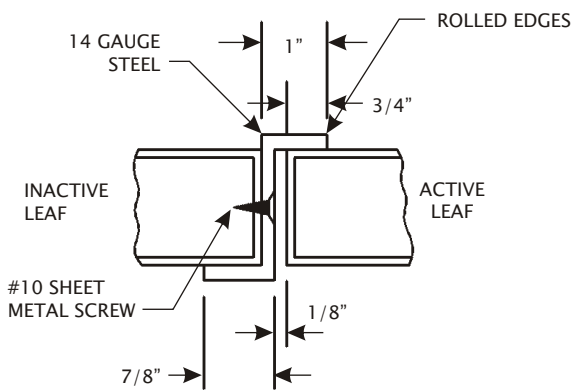
**DS-157-3**



"U" STRIKE PREPARATION  
ANSI 115.1



8'-0" ASTRAGAL CAN BE CUT TO LENGTH TO ACCOMMODATE 6'-8", 7'-0" AND 7'-2" DOORS, REGARDLESS OF SWING OR HANDING.



'Z' ASTRAGAL 'AZ'

