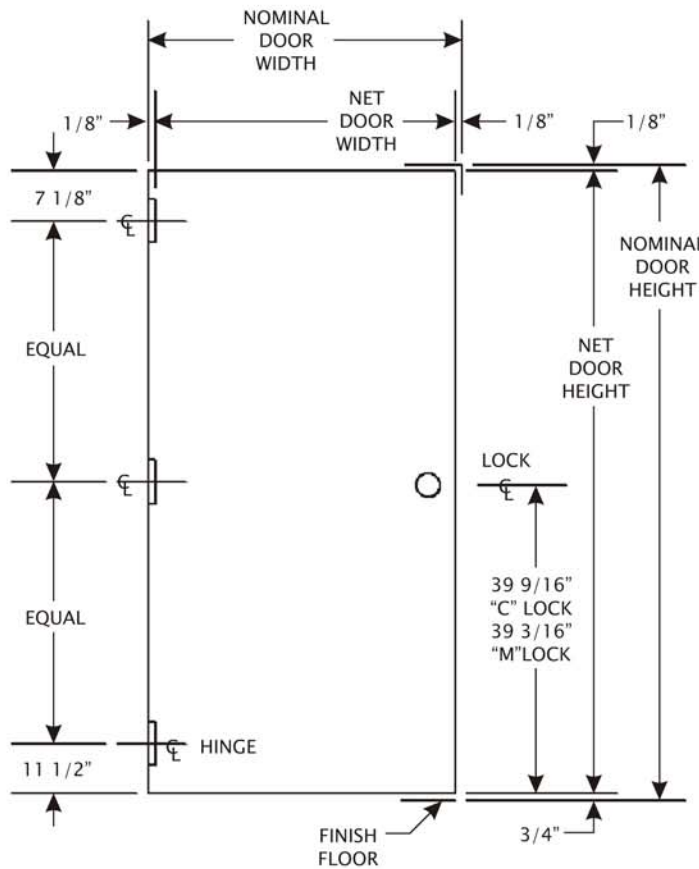


# TECHNICAL DATA SHEET

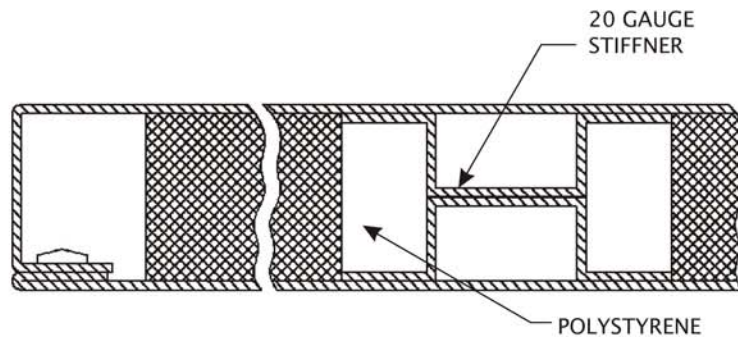
**DS-105**

## STEEL STIFFENED DOOR (STIFFADOR) DOOR CONSTRUCTION



STANDARD DOOR WIDTHS	
NOMINAL DOOR WIDTHS	NET DOOR WIDTHS
2'-0"	23 3/4"
2'-4"	27 3/4"
2'-6"	29 3/4"
2'-8"	31 3/4"
3'-0"	35 3/4"
3'-4"	39 3/4"
3'-6"	41 3/4"
3'-8"	43 3/4"
3'-10"	45 3/4"
4'-0"	47 3/4"

STANDARD DOOR HEIGHTS	
NOMINAL DOOR HEIGHTS	NET DOOR HEIGHTS
6-8"	79 1/8"
7'-0"	83 1/8"
7'-2"	85 1/8"
7'-10"	93 1/8"
8'-0"	95 1/8"



VERTICAL EDGE SEAMS WELDED,  
FILLED AND GROUND SMOOTH  
ONLY ON REQUEST

January 2007



**MESKER**

www.meskerdoor.com  
256-851-6670, 256-852-5846