

### SIX PANEL DOORS

### 1 3/4"

1. Doors shall be manufactured by Mesker Door Incorporated and designed as Six Panel Door 1 3/4".

N( ) 418 - 18 gauge 1 3/4 Six Panel

N( ) 420 - 20 gauge 1 3/4 Six Panel

( )=Core designation - "P" - Polystyrene

2. Core material shall be Polystyrene.

3. Doors shall be full flush constructed of two face sheets of 18 or 20 gauge A60 galvanized steel, stretcher-levelled quality of flatness.

4. Doors shall have neat hemmed vertical edge seams mechanically interlocked for maximum structural integrity. Seamless doors available when required by filling edge or seam. (Designated by an "S" in the above nomenclature.)

5. Doors shall have 3/16" steel hinge reinforcements with 3 projection welds above and 3 below each hinge mortise. The top hinge reinforcement shall extend to the top of the door and have 3 additional projection welds on the extended leg.

6. Doors shall have a box type closer reinforcement factory installed to reinforce both sides of doors.

7. Doors shall have 16 gauge top and bottom channels welded to door skins on 2" centers.

8. Doors shall be mortised and adequately reinforced for all hardware. Mortised hardware reinforcements shall be drilled and tapped at the factory. Surface applied hardware shall be field drilled by others.

9. Doors shall be bonderized and phosphatized inside and out and receive a factory coat of prime paint.

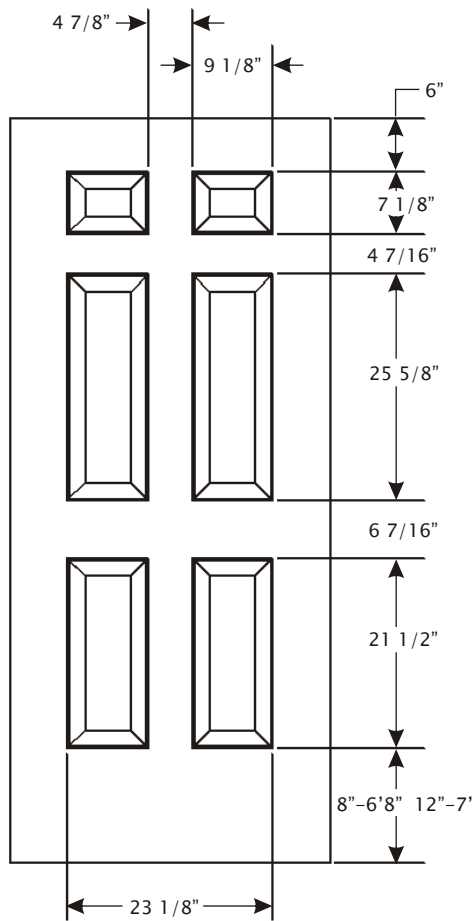
LABEL SIX PANEL DOORS 1 3/4" - 18 OR 20 GAUGE.  
SIX PANEL DOORS ARE AVAILABLE WITH UL, WHI AND  
FACTORY MUTUAL LABELS AS SHOWN BELOW:

CORE MATERIAL	POLYSTYRENE
GAUGE	18 GAUGE
LABEL	A, B & C
MAXIMUM SIZES AVAILABLE	SINGLE: 3870 PAIR: 7740



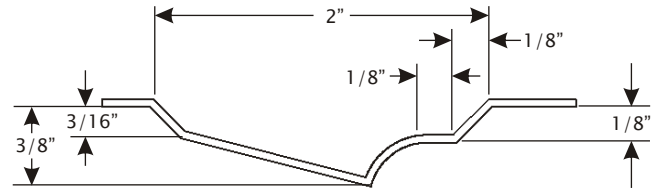
# TECHNICAL DATA SHEET

## DS-102-2



STANDARD DOOR WIDTHS	
NOMINAL DOOR WIDTHS	NET DOOR WIDTHS
2'-8"	31 3/4"
3'-0"	35 3/4"

STANDARD DOOR HEIGHTS	
NOMINAL DOOR HEIGHTS	NET DOOR HEIGHTS
6'-8"	79 1/8"
7'-0"	83 1/8"

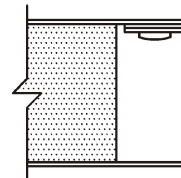


EMBOSS DETAIL

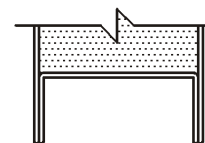
All the great construction features of our SwingerDor plus strong rigid six panel design constructed from 18 or 20 gauge galvanized steel.

- Prime painted
- Closer reinforcement standard
- Solid polycore fully bonded to face sheets
- UL label available
- 2'8" to 3'0" widths and 6'8" to 7'0" heights

Contact factory for doors over 3'0".



SECTION A-A



SECTION B-B

SIX PANEL DOOR  
January 2007



**MESKER**  
www.meskerdoor.com  
256-851-6670, 256-852-5846