

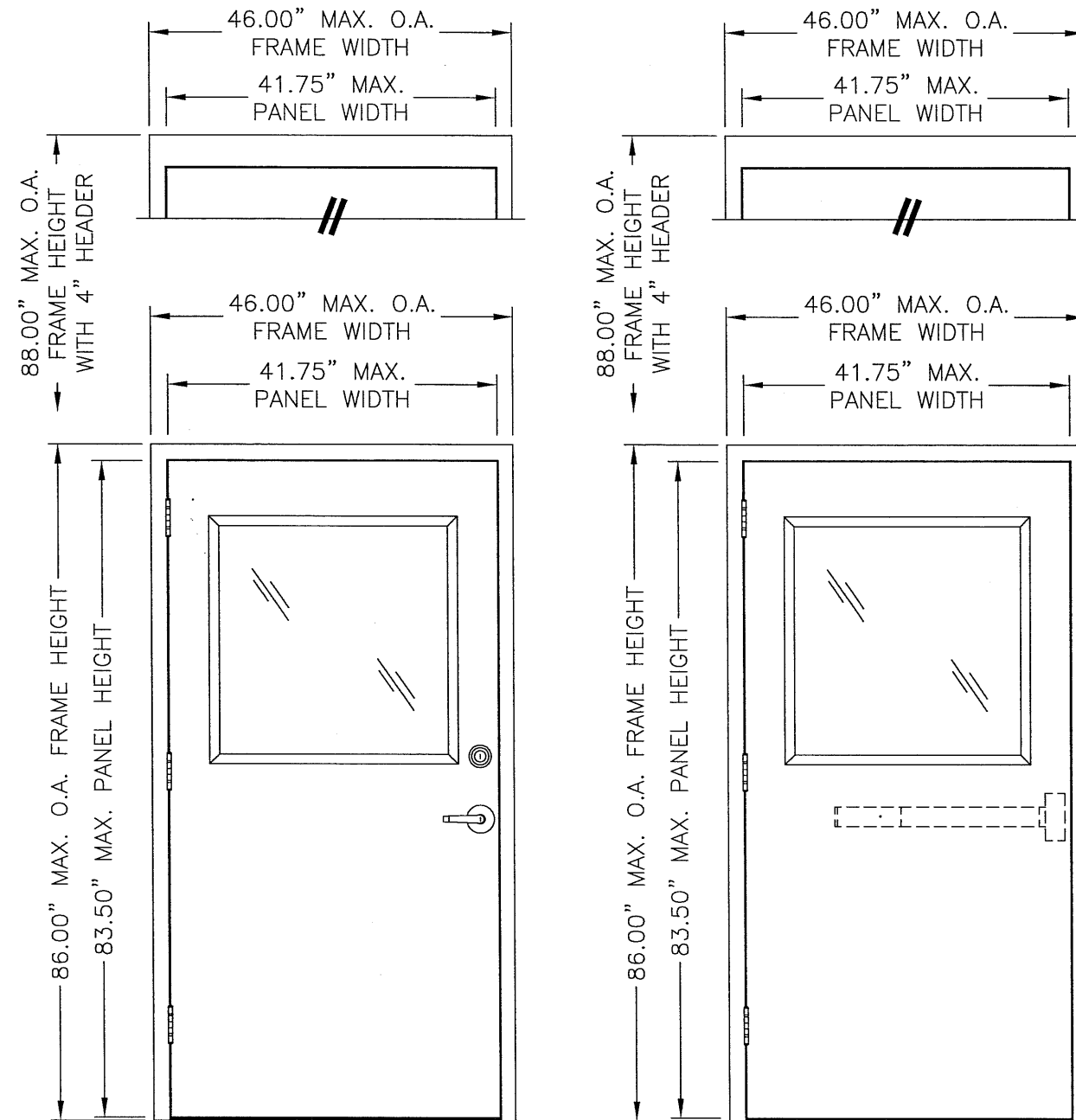
# MESKER DOOR INC.

3440 STANWOOD BLVD.  
HUNTSVILLE, AL. 35811  
Phone: 256-851-6670

## SINGLE GLAZED DOOR 1/2 LITE "IMPACT" OUTSWING

### GENERAL NOTES

- THIS PRODUCT HAS BEEN EVALUATED AND IS IN COMPLIANCE WITH THE 2004 FLORIDA BUILDING CODE STRUCTURAL REQUIREMENTS EXCLUDING THE "HIGH VELOCITY HURRICANE ZONE".
- PRODUCT ANCHORS SHALL BE AS LISTED AND SPACED AS SHOWN ON DETAILS. ANCHOR EMBEDMENT TO BASE MATERIAL SHALL BE BEYOND WALL DRESSING OR STUCCO.
- WHEN USED IN AREAS OUTSIDE OF THE "HVHZ" REQUIRING WIND-BORNE DEBRIS PROTECTION THIS PRODUCT COMPLIES WITH SECTION 1609.1.4 OF THE FLORIDA BUILDING CODE AND DOES NOT REQUIRE AN IMPACT RESISTANT COVERING. THIS PRODUCT MEETS MISSILE LEVEL "D" AND INCLUDES WIND ZONE 4 AS DEFINED IN ASTM E1996.
- SITE CONDITIONS THAT DEVIATE FROM THE DETAILS OF THIS DRAWING REQUIRE FURTHER ENGINEERING ANALYSIS BY A LICENSED ENGINEER OR REGISTERED ARCHITECT.



N & D DOOR

N & D DOOR

TABLE OF CONTENTS	
SHEET #	DESCRIPTION
1	TYPICAL ELEVATIONS, DESIGN PRESSURES & GENERAL NOTES
2	DOOR PANEL DETAILS (D PANEL)
3	DOOR PANEL DETAILS (N PANEL)
4	HORIZONTAL CROSS SECTIONS
5	HORIZONTAL CROSS SECTIONS
6	HORIZONTAL CROSS SECTIONS
7	VERTICAL CROSS SECTIONS
8	ANCHORING LOCATIONS
9	ANCHORING DETAILS
10	COMPONENTS
11	BILL OF MATERIALS, GLAZING DETAIL & COMPONENTS

DOOR TYPE	FRAME TYPE	OVERALL FRAME DIMENSION	OVER D.L.O. DIMENSION	SWING	LOCK TYPE	GLASS TYPE	DESIGN PRESSURE	
							POSITIVE	NEGATIVE
D	2" HEAD	46.00" X 86.00"	29.00" X	OUTSWING	DESIGN HARDWARE X82 LOCKSET & D25 DEADBOLT OR VONDUPRIN RIM PANIC HH99EO	G1	+40.0	-40.0
	4" HEAD	46.00" X 88.00"	29.00"					
N	2" HEAD	46.00" X 86.00"	29.00" X	OUTSWING	DESIGN HARDWARE X82 LOCKSET & D25 DEADBOLT OR VONDUPRIN RIM PANIC HH99EO	G1	+40.0	-40.0
	4" HEAD	46.00" X 88.00"	29.00"					

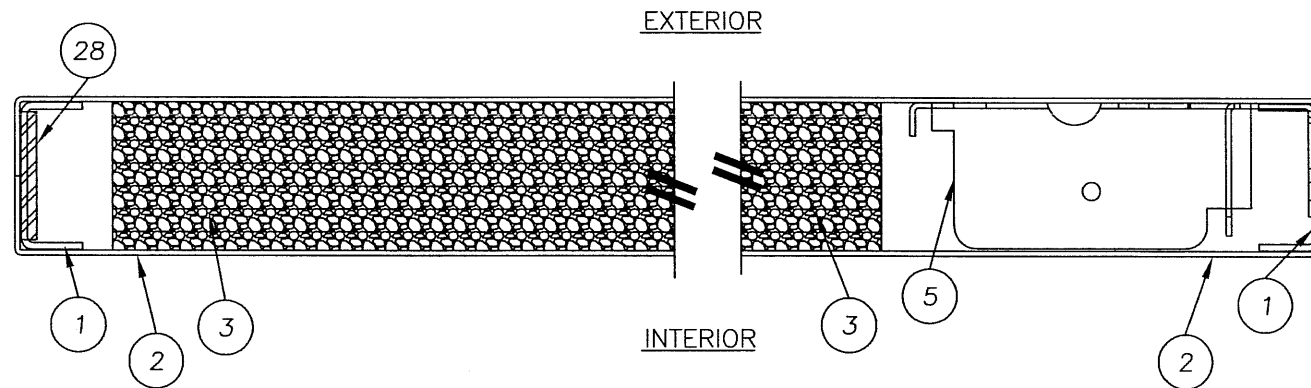
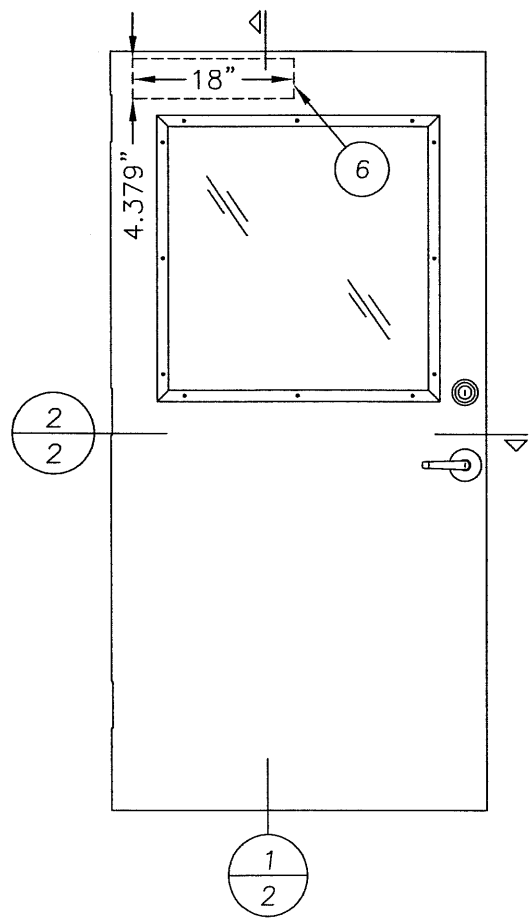
Documents Prepared By:  
**RW** BUILDING CONSULTANTS, INC.  
 P.O. Box 230 Vairico FL. 33595  
 Phone No.: 813.659.9197  
 Florida Board of Professional Engineers  
 Certificate of Authorization No. 9813  
*Wendell W. Honey* 2-7-07  
 Wendell W. Honey, P.E. No. 54158

PRODUCT: MESKER "IMPACT"  
N & D PANELS  
 PART OR ASSEMBLY:  
TYPICAL ELEVATIONS, DESIGN PRESSURES & GENERAL NOTES

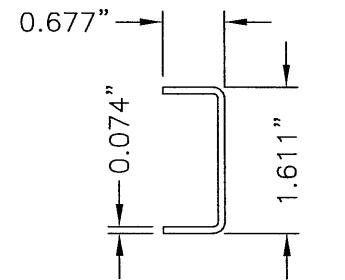
NO.	DATE	BY	REVISIONS

DATE: 12/13/06  
 SCALE: N.T.S.  
 DWG. BY: AEM  
 CHK. BY: WWH  
 DRAWING NO.: FL-3297  
 SHEET 1 OF 11

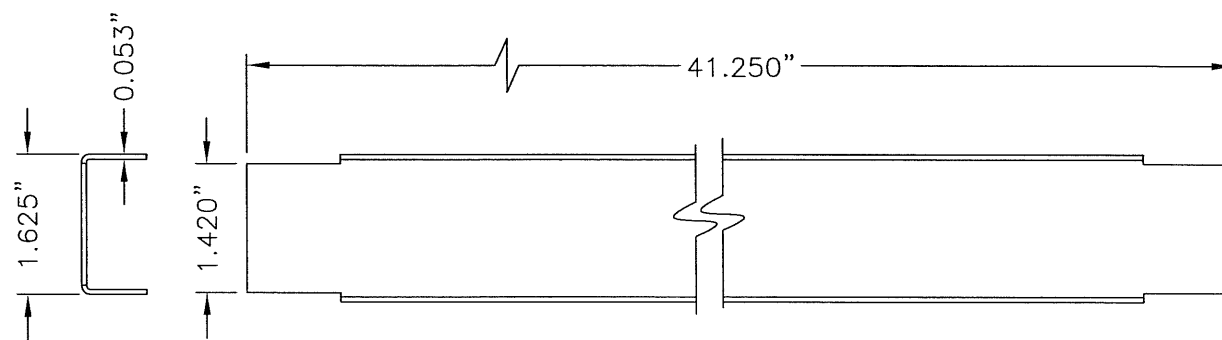
R:\A - Projects\Project Folders\Proj\_1001-1100\pt1070\D. RWBC Drawings\MESKER.dwg, 2FL



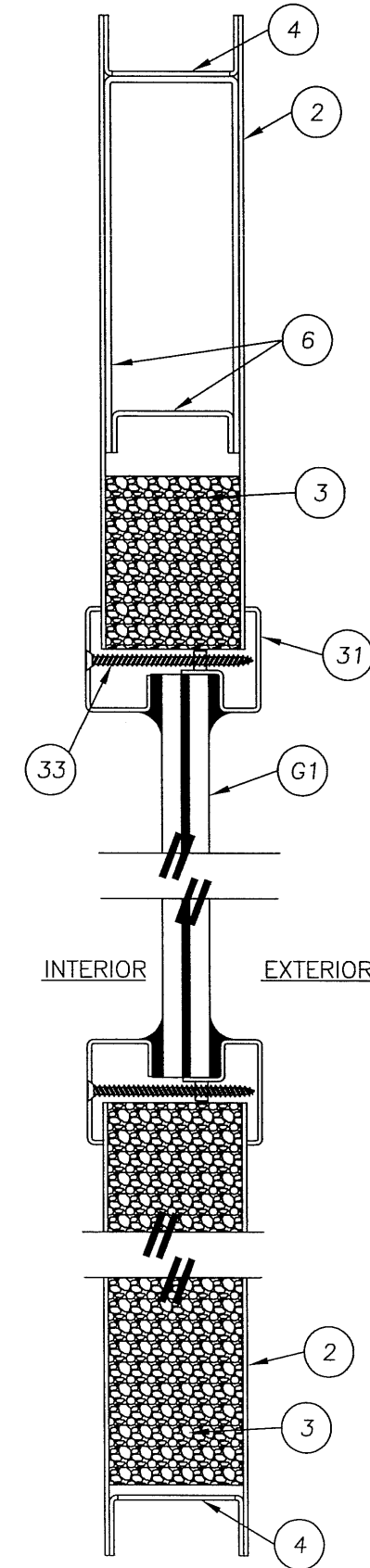
2  
2 HORIZONTAL CROSS SECTION



1 DOOR STILE EDGE REINFORCEMENT



4 DOOR TOP & BOTTOM CLOSER  
16GA. (.053) C.R.S.



1  
2 VERTICAL CROSS SECTION

DATE:	12/13/06
SCALE:	N.T.S.
DWG. BY:	AEM
CHK. BY:	WWH
DRAWING NO.:	FL-3297
SHEET	2 OF 11

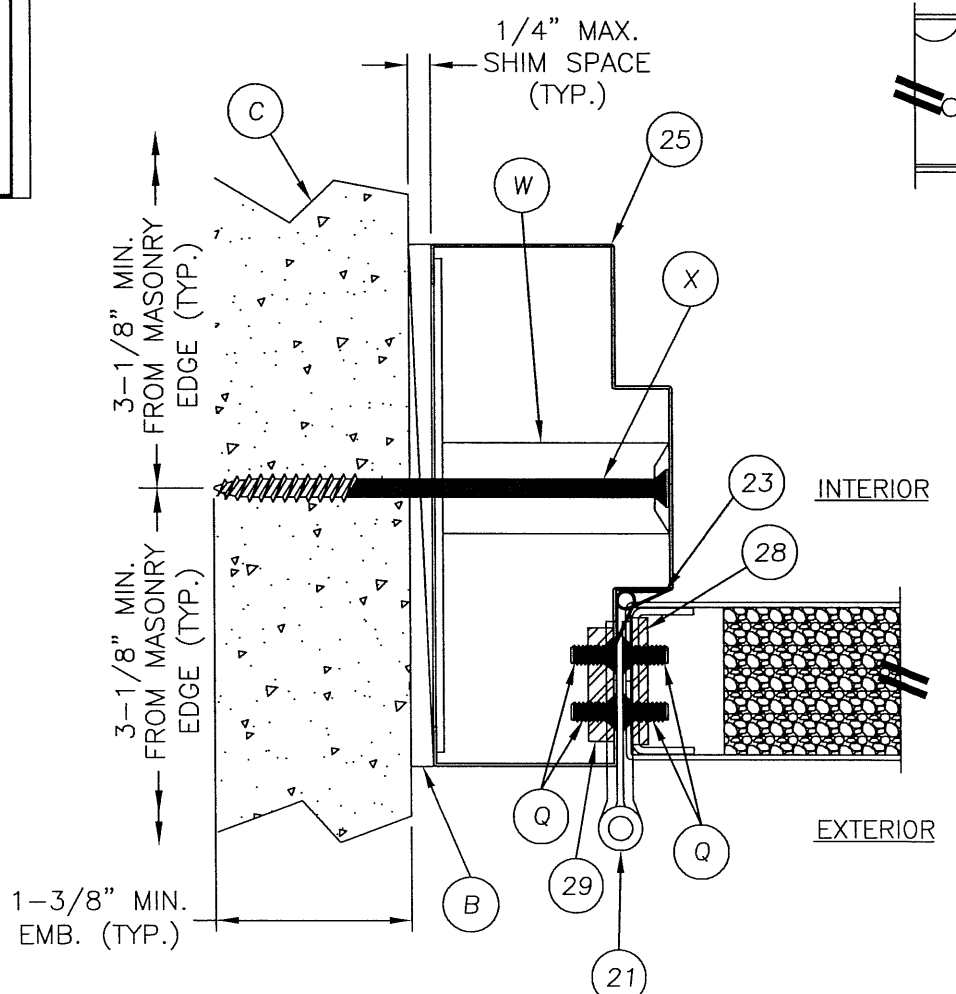
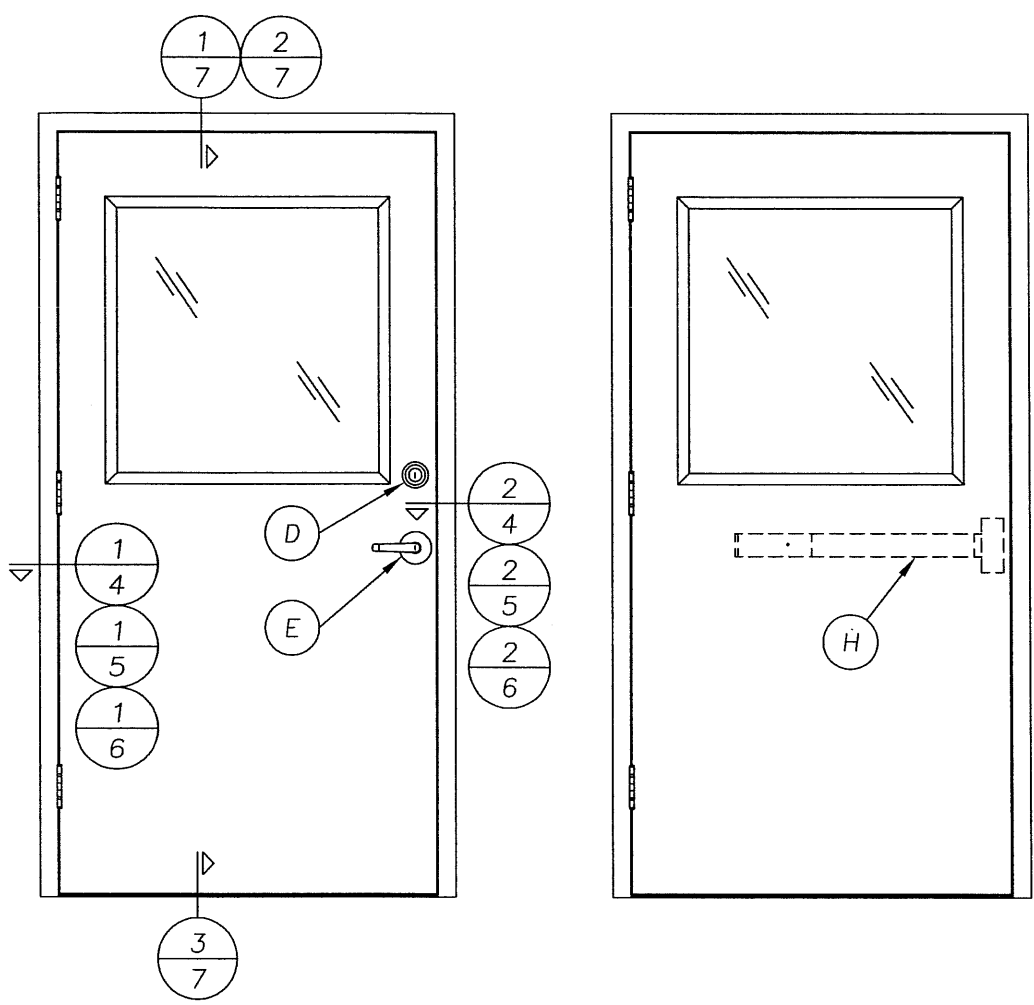
PRODUCT:	MESKER N & D PANELS "IMPACT"
PART OR ASSEMBLY:	DOOR PANEL DETAILS (D PANEL)

Documents Prepared By:  
**RW** BUILDING CONSULTANTS, INC.  
 P.O. Box 230 Valrico FL, 33595  
 Phone No.: 813.659.9197  
 Florida Board of Professional Engineers  
 Certificate Of Authorization No. 9813  
*Wendell W. Hays* 2-7-07  
 Wendell W. Hays, P.E. No. 54158

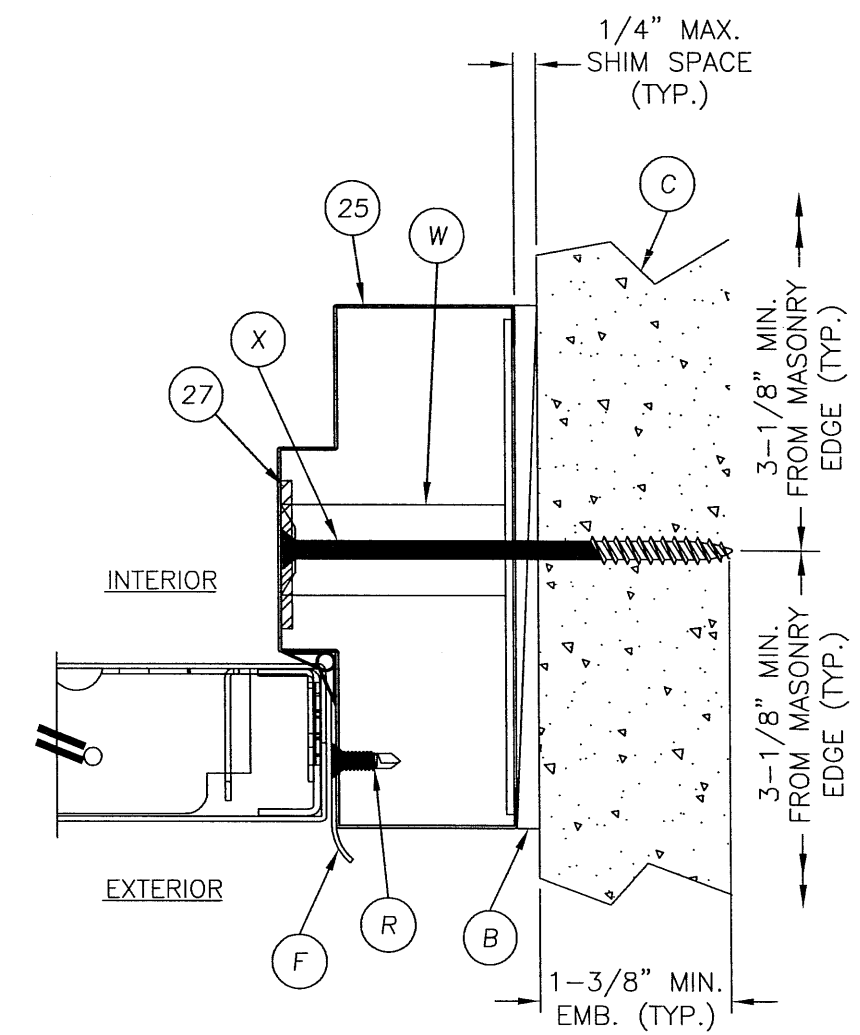
NO.	DATE	BY	REVISIONS



R:\A - Projects\Project Folders\Proj 1001-1100\p1070\DWG\RWBC Drawings\MESKER.dwg, 4FL



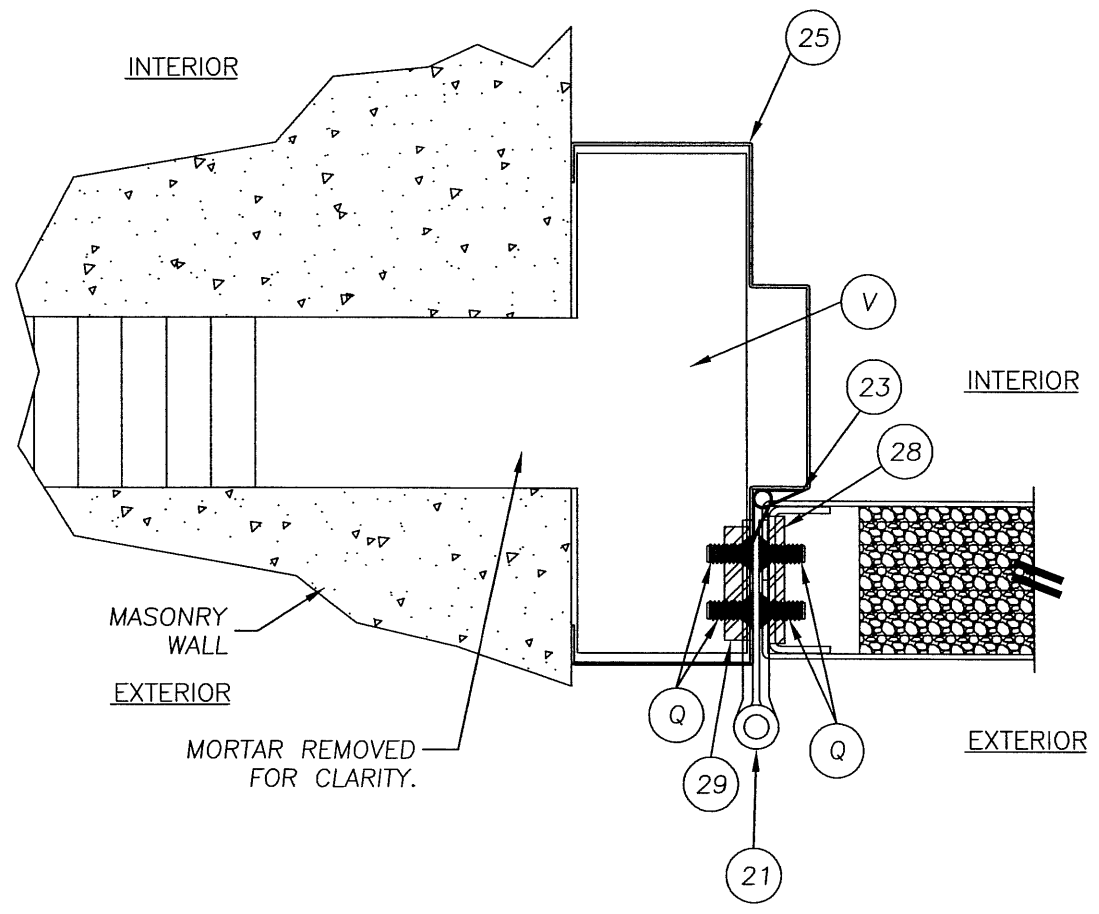
1 HORIZONTAL CROSS SECTION  
 4 @ HINGE  
 SHOWN WITH TUBE ANCHOR  
 SEE DOOR PANEL DETAILS FOR  
 OPTIONAL PANEL TYPES



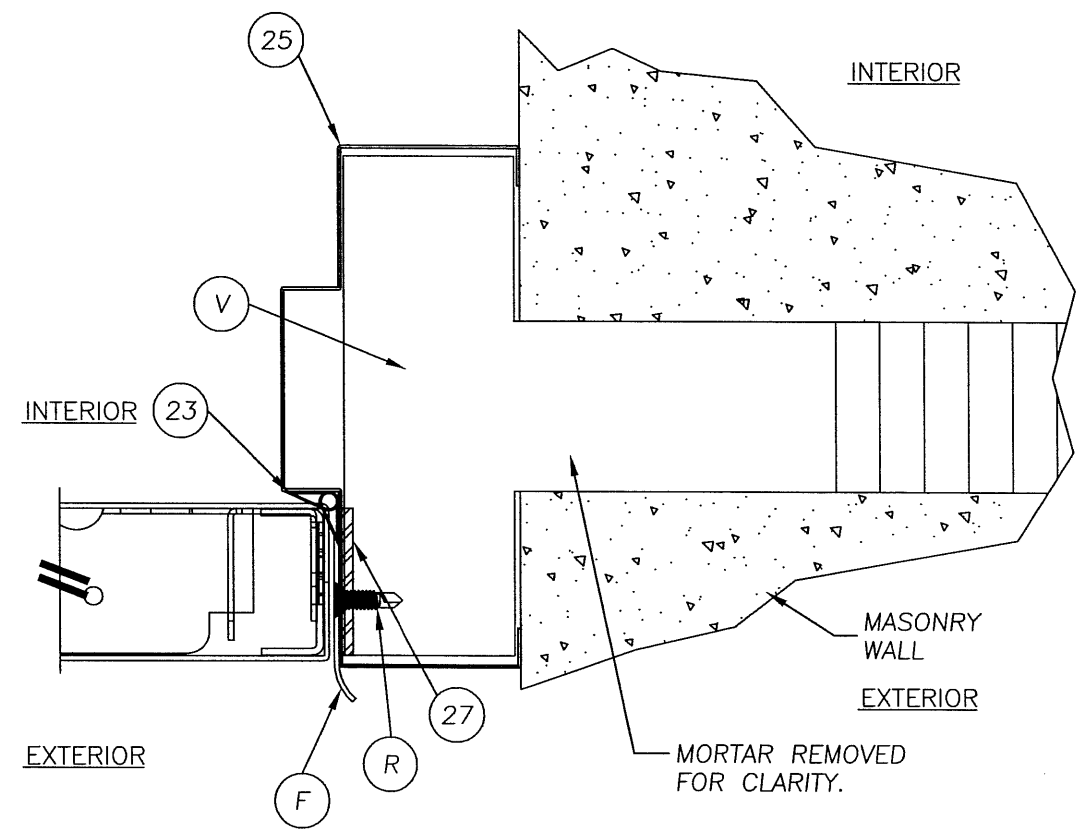
2 HORIZONTAL CROSS SECTION  
 4 @ HINGE  
 SHOWN WITH TUBE ANCHOR  
 SEE DOOR PANEL DETAILS FOR  
 OPTIONAL PANEL TYPES

Documents Prepared By: <b>RW</b> BUILDING CONSULTANTS, INC. P.O. Box 230 Valrico FL, 33595 Phone No.: 813.659.9197 Florida Board of Professional Engineers Certificate Of Authorization No. 9813 <i>Wendell W. Hayes, P.E.</i> 2-7-07 Wendell W. Hayes, P.E. No. 54158	
PRODUCT: MESKER N & D PANELS "IMPACT"	PART OR ASSEMBLY: HORIZONTAL CROSS SECTIONS
NO. DATE _____ _____	REVISIONS _____ _____
DATE: 12/13/06 SCALE: N.T.S. DWG. BY: AEM CHK. BY: WWH DRAWING NO.: FL-3297	SHEET 4 OF 11

R:\A - Projects\Project Folders\Proj 1001-1100\p1070\1.D. RWBC Drawings\MESKER.dwg, 5FL



1 HORIZONTAL CROSS SECTION  
 5 @ LATCH  
 SHOWN WITH TEE ANCHOR  
 SEE DOOR PANEL DETAILS FOR  
 OPTIONAL PANEL TYPES



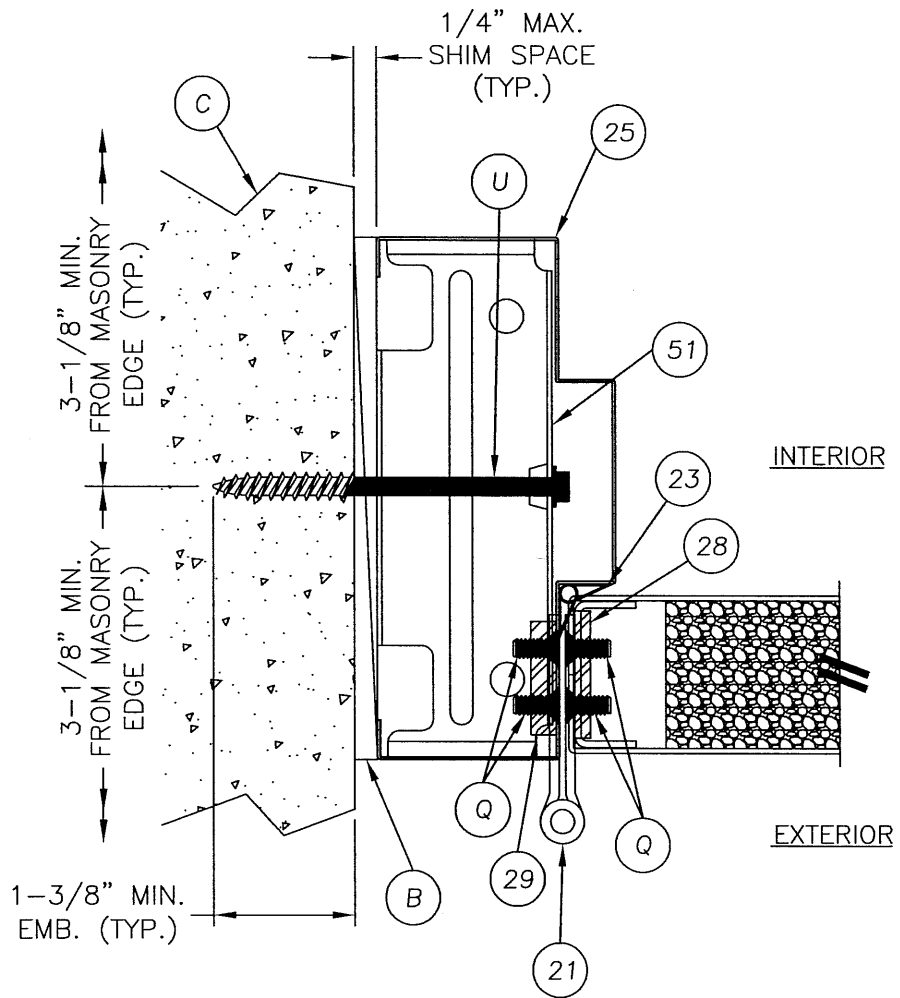
2 HORIZONTAL CROSS SECTION  
 5 @ LATCH  
 SHOWN WITH TEE ANCHOR  
 SEE DOOR PANEL DETAILS FOR  
 OPTIONAL PANEL TYPES

Documents Prepared By:  
**RW** BUILDING CONSULTANTS, INC.  
 P.O. Box 230 Valrico FL, 33595  
 Phone No.: 813.659.9197  
 Florida Board of Professional Engineers  
 Certificate Of Authorization No. 9813  
*Wendell W. Hawley* 2-7-07  
 Wendell W. Hawley, P.E. No. 54158

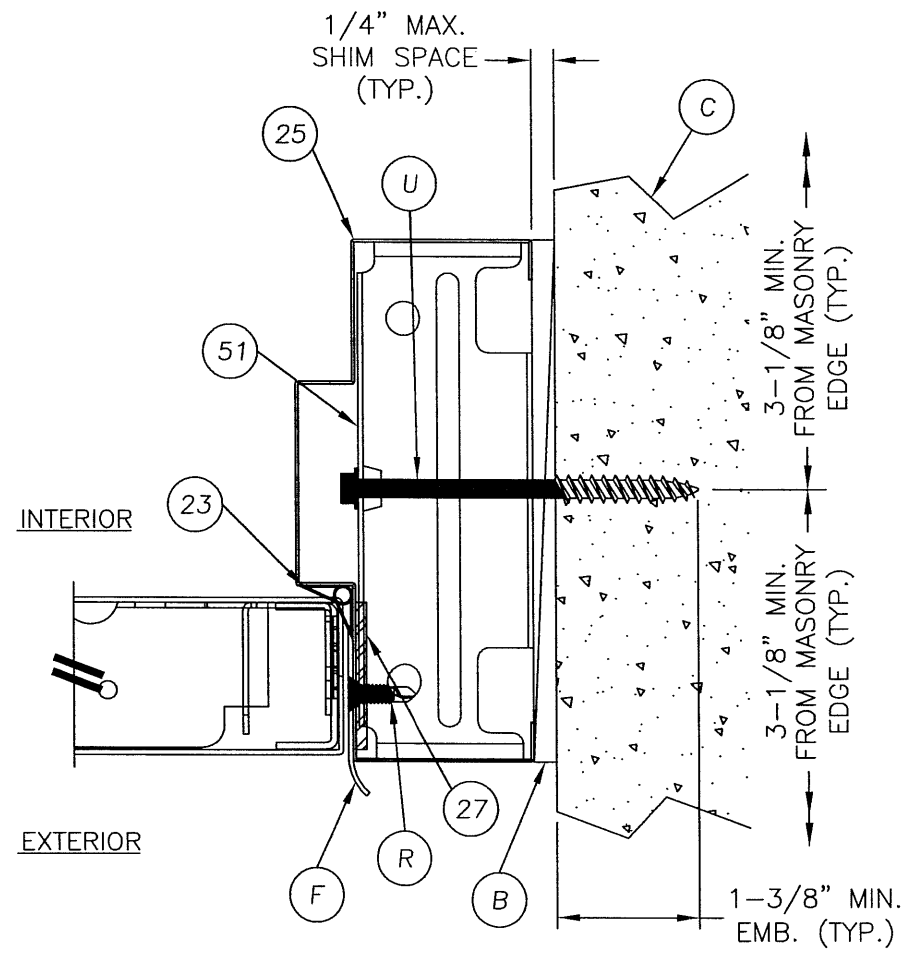
PRODUCT: MESKER "IMPACT"  
 N & D PANELS  
 PART OR ASSEMBLY: HORIZONTAL CROSS SECTIONS

NO.	DATE	REVISIONS	BY

DATE: 12/13/06  
 SCALE: N.T.S.  
 DWG. BY: AEM  
 CHK. BY: WWH  
 DRAWING NO.: FL-3297  
 SHEET 5 OF 11



1 HORIZONTAL CROSS SECTION  
 6 @ LATCH  
 SHOWN WITH UNIVERSAL ANCHOR  
 SEE DOOR PANEL DETAILS FOR  
 OPTIONAL PANEL TYPES



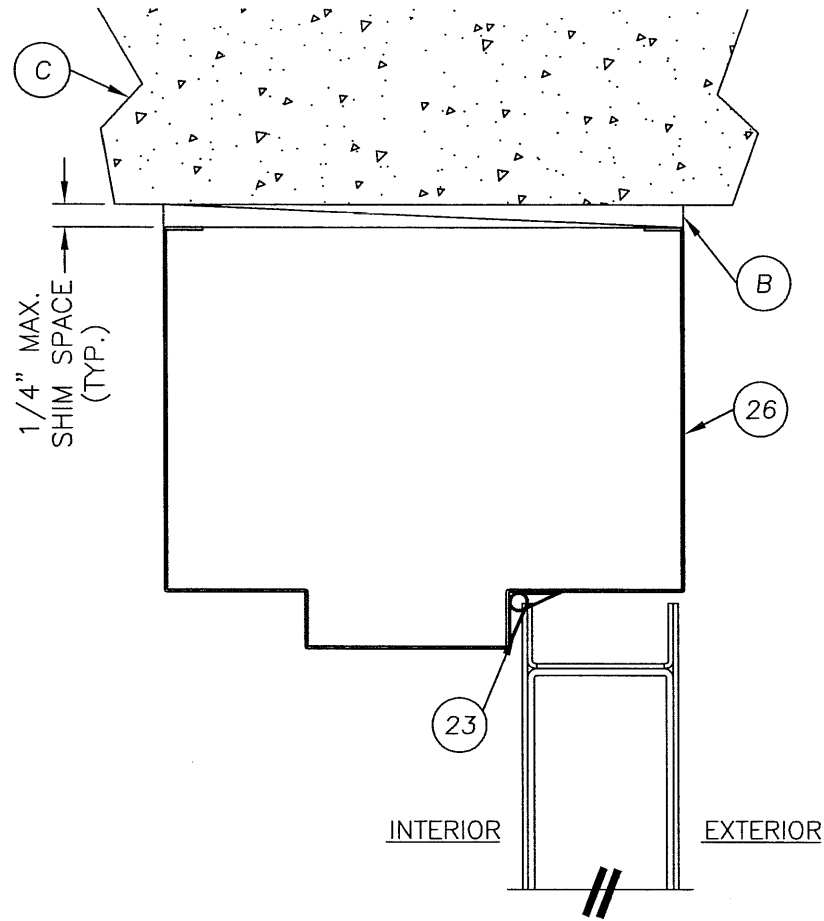
2 HORIZONTAL CROSS SECTION  
 6 @ LATCH  
 SHOWN WITH UNIVERSAL ANCHOR  
 SEE DOOR PANEL DETAILS FOR  
 OPTIONAL PANEL TYPES

PRODUCT: MESKER  
 N & D PANELS "IMPACT"  
 PART OR ASSEMBLY: HORIZONTAL CROSS SECTIONS

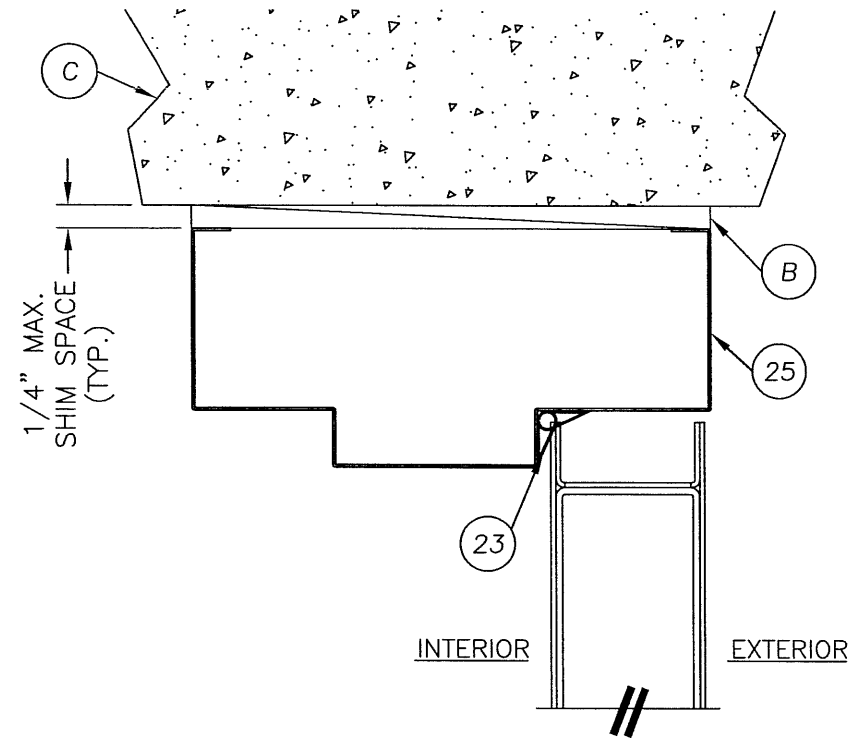
NO.	DATE	BY	REVISIONS

DATE: 12/13/06  
 SCALE: N.T.S.  
 DWG. BY: AEM  
 CHK. BY: WWH  
 DRAWING NO.: FL-3297  
 SHEET 6 OF 11

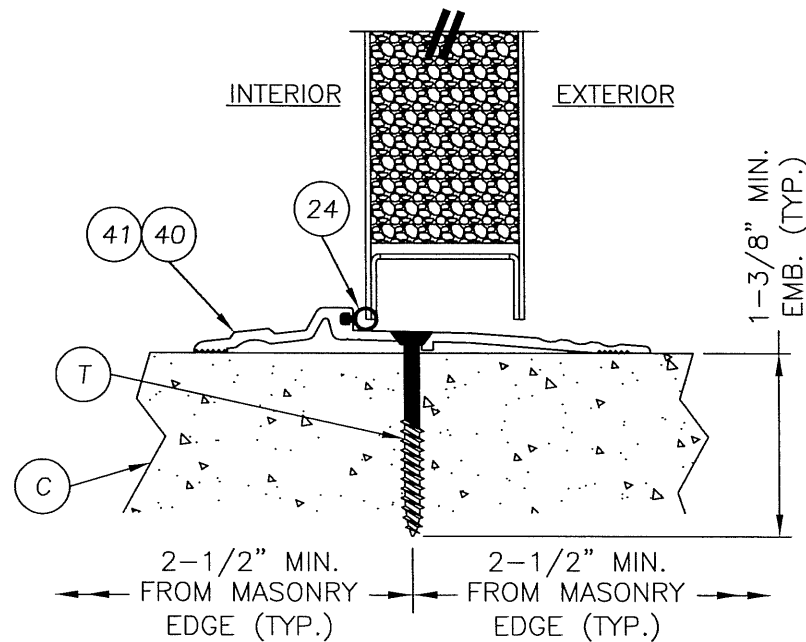
Documents Prepared By:  
 RW BUILDING CONSULTANTS, INC.  
 P.O. Box 230 Valrico FL, 33595  
 Phone No.: 813.659.9197  
 Florida Board of Professional Engineers  
 Certificate Of Authorization No. 9813  
 Wendell W. Harty, P.E. No. 54158



1 VERTICAL CROSS SECTION  
 7 @ HEAD  
 SEE DOOR PANEL DETAILS FOR  
 OPTIONAL PANEL TYPES



2 VERTICAL CROSS SECTION  
 7 @ HEAD  
 SEE DOOR PANEL DETAILS FOR  
 OPTIONAL PANEL TYPES



3 VERTICAL CROSS SECTION  
 7 @ THRESHOLD  
 SEE DOOR PANEL DETAILS FOR  
 OPTIONAL PANEL TYPES

Documents Prepared By:

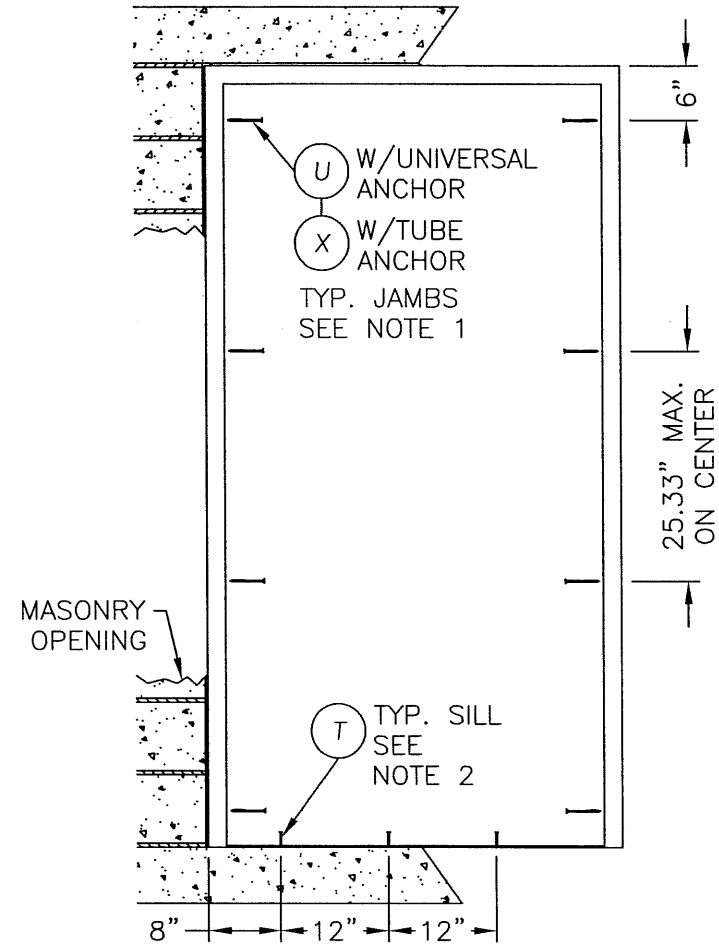
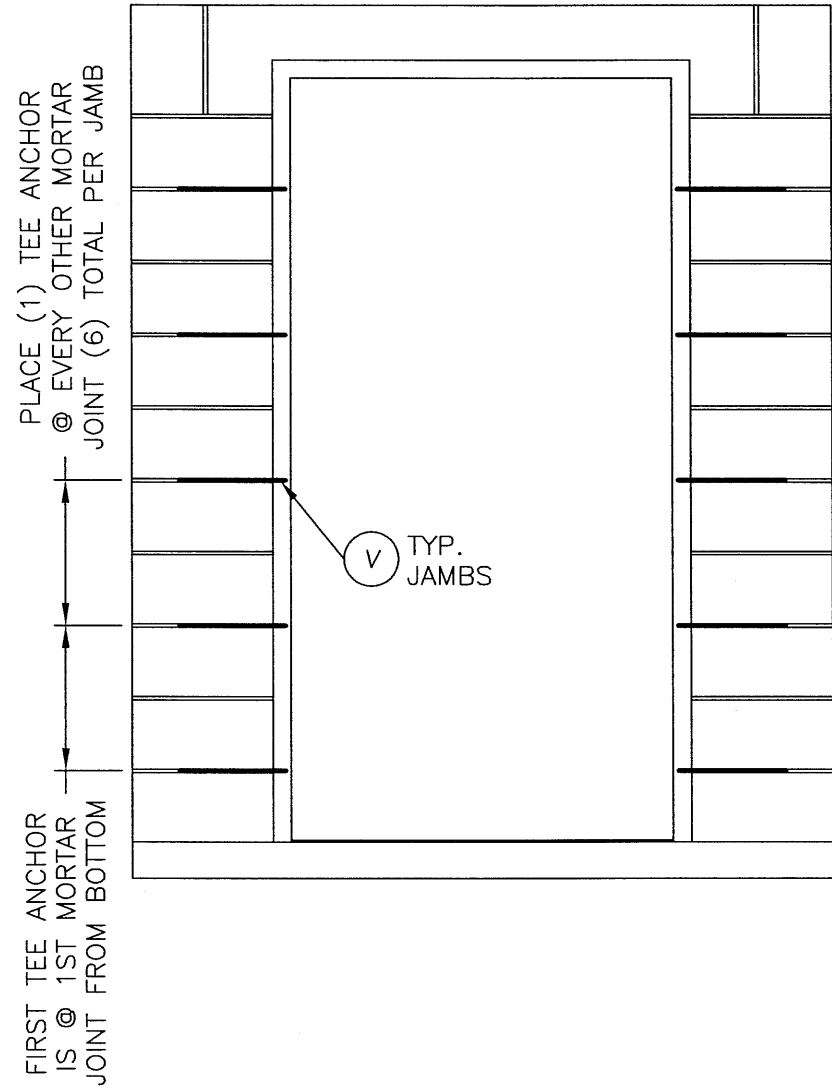
RW BUILDING CONSULTANTS, INC.  
 P.O. Box 230 Valrico FL 33595  
 Phone No.: 813.659.9197  
 Florida Board of Professional Engineers  
 Certificate Of Authorization No. 9813  
*Wendell W. Heney* 2-7-07  
 Wendell W. Heney, P.E. No. 54158

PRODUCT: MESKER "IMPACT"  
 N & D PANELS

PART OR ASSEMBLY: VERTICAL CROSS SECTIONS

NO.	DATE	BY	REVISIONS

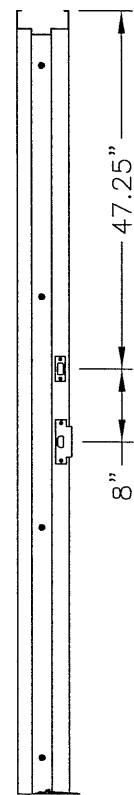
DATE: 12/13/06  
 SCALE: N.T.S.  
 DWG. BY: AEM  
 CHK. BY: WWH  
 DRAWING NO.: FL-3297  
 SHEET 7 OF 11



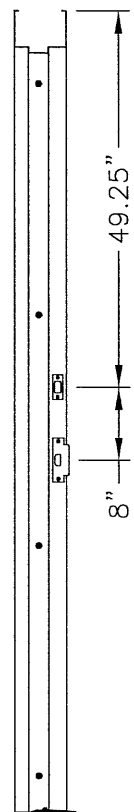
**NOTES:**

1. 5/16" TAPCONS REQUIRE A MINIMUM 3-1/8" CLEARANCE TO MASONRY EDGES AND A MINIMUM 3-3/4" CLEARANCE TO ADJACENT TAPCONS. UNLESS OTHERWISE NOTED BY CONCRETE SCREW MANUFACTURER.
2. 1/4" ITW CONCRETE SCREWS ANCHORING FRAME AND/OR SILL REQUIRE A MINIMUM 2-1/2" CLEARANCE TO MASONRY EDGES AND A MINIMUM 3" CLEARANCE TO ADJACENT CONCRETE SCREWS UNLESS OTHERWISE NOTED BY CONCRETE SCREW MANUFACTURER.

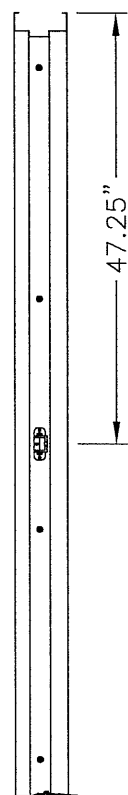
Documents Prepared By: <b>RW</b> BUILDING CONSULTANTS, INC. P.O. Box 230 Valrico FL, 33595 Phone No.: 813.659.9197 Florida Board of Professional Engineers Certificate Of Authorization No. 9813 <i>Wendell W. Jarley</i> 2-7-07 Wendell W. Jarley, P.E. No. 54158	
PRODUCT: MESKER N & D PANELS "IMPACT"	PART OR ASSEMBLY: ANCHORING LOCATIONS
NO. DATE	BY
REVISIONS	
DATE: 12/13/06	
SCALE: N.T.S.	
DWG. BY: AEM	
CHK. BY: WWH	
DRAWING NO.: FL-3297	
SHEET 8 OF 11	



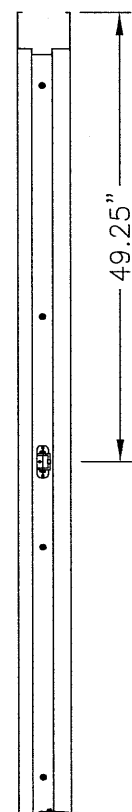
STRIKE PLATE  
LOCATIONS 2" HEAD



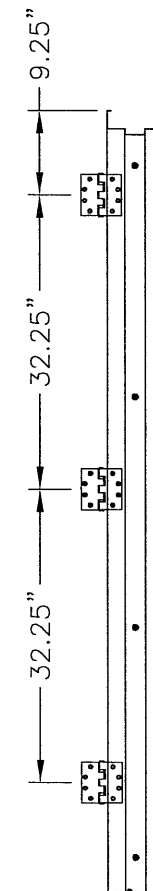
STRIKE PLATE  
LOCATIONS 4" HEAD



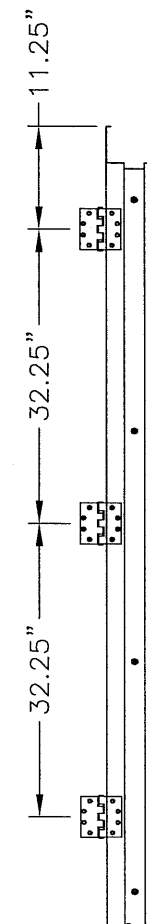
STRIKE PLATE  
LOCATION 2" HEAD



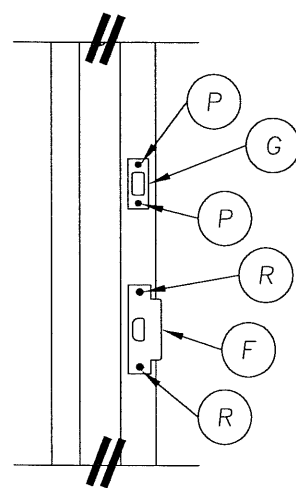
STRIKE PLATE  
LOCATION 4" HEAD



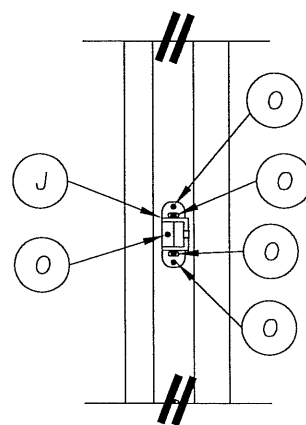
HINGE LOCATIONS  
2" HEAD



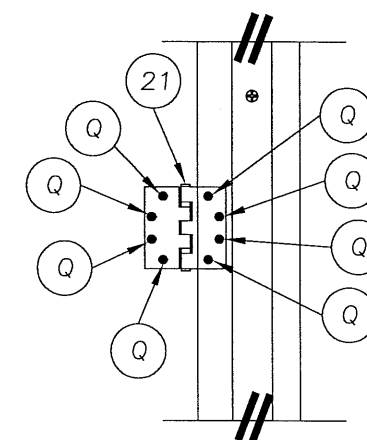
HINGE LOCATIONS  
4" HEAD



STRIKE PLATE DETAIL  
ANSI STRIKE & DEADBOLT



RIM STRIKE DETAIL



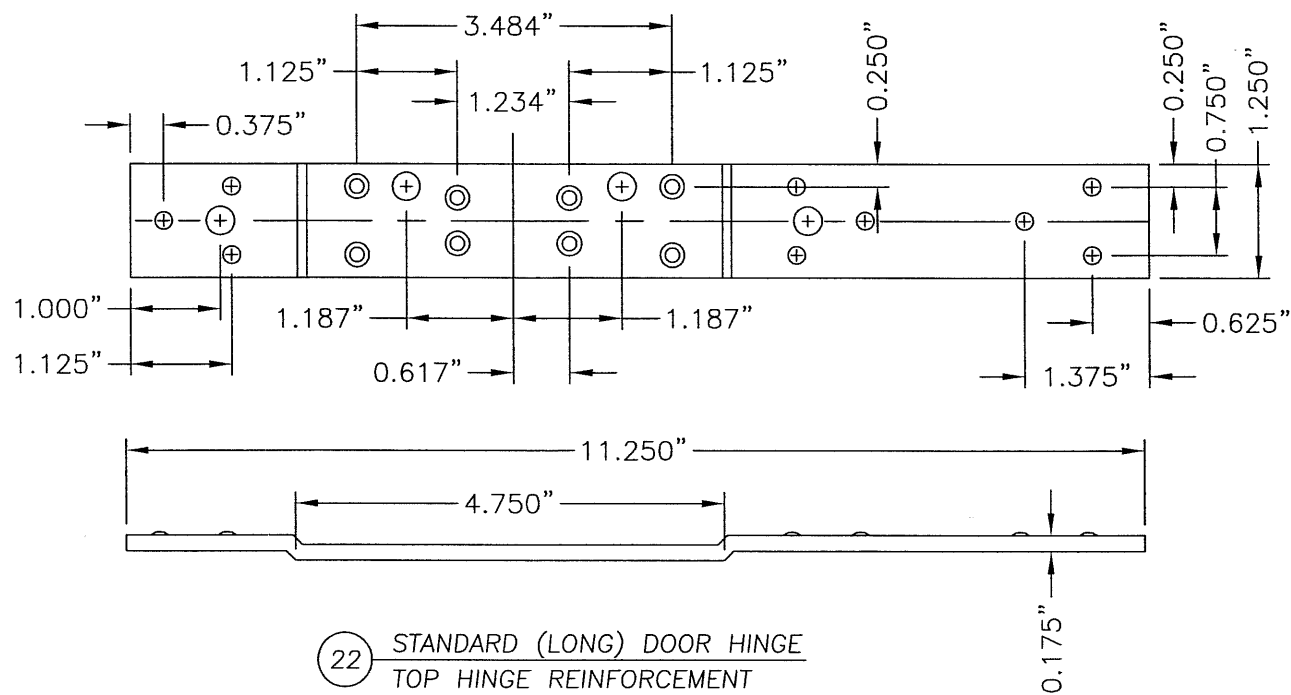
HINGE DETAIL

Documents Prepared By:  
**RW** BUILDING CONSULTANTS, INC.  
 P.O. Box 230 Valrico FL 33595  
 Phone No.: 813.659.9197  
 Florida Board of Professional Engineers  
 Certificate Of Authorization No. 9813  
*Wendell W. Haney* 2-7-07  
 Wendell W. Haney, P.E. No. 54158

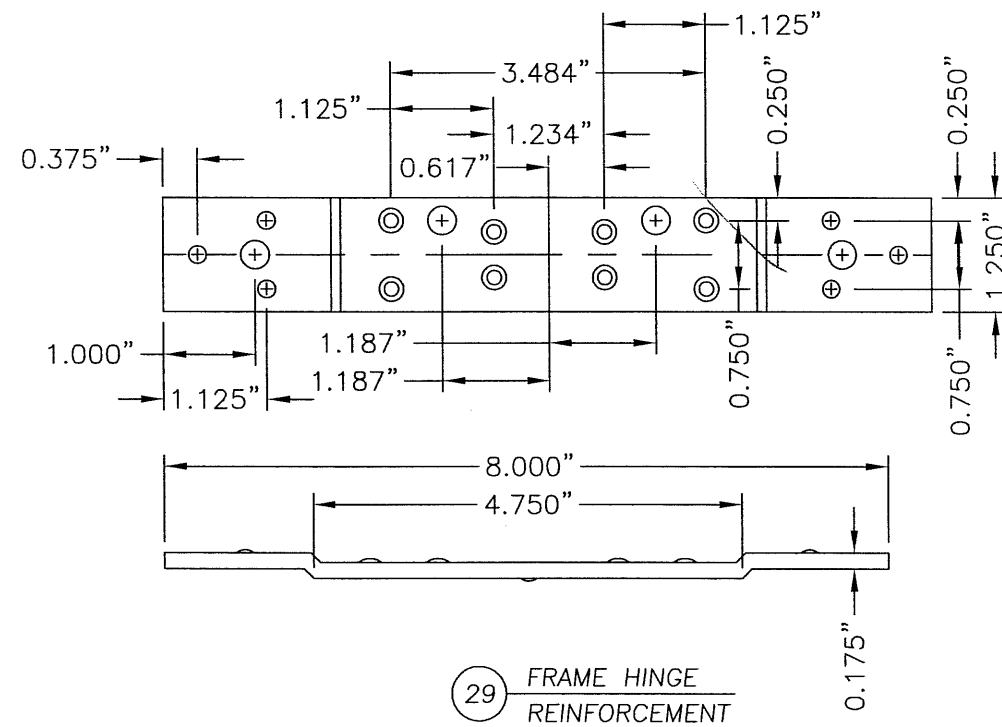
PRODUCT: MESKER "IMPACT"  
 N & D PANELS  
 PART OR ASSEMBLY: ANCHORING DETAILS

NO.	DATE	BY	REVISIONS

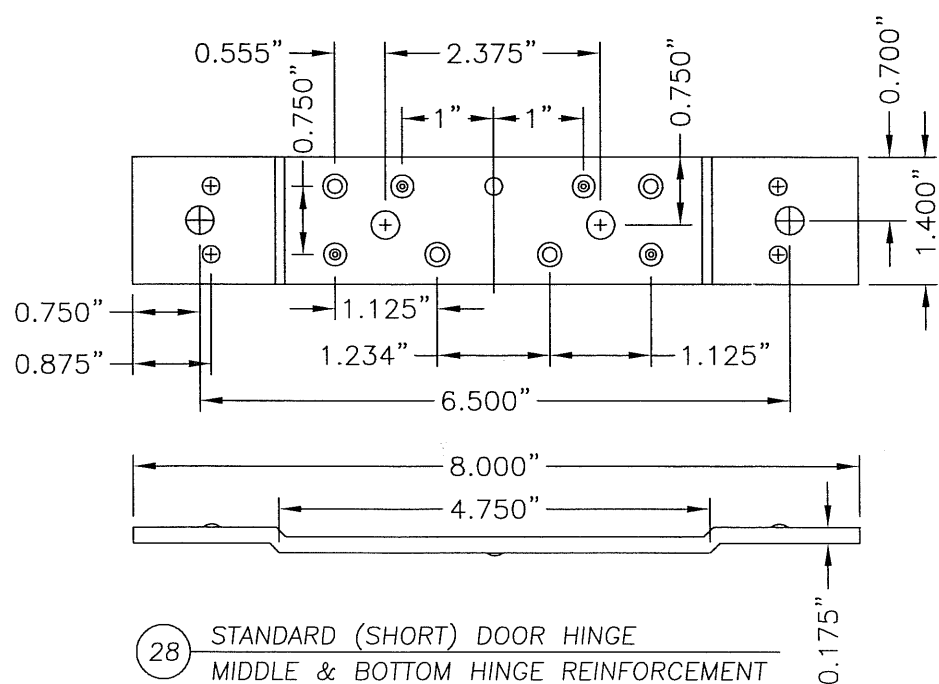
DATE: 12/13/06  
 SCALE: N.T.S.  
 DWG. BY: AEM  
 CHK. BY: WWH  
 DRAWING NO.: FL-3297  
 SHEET 9 OF 11



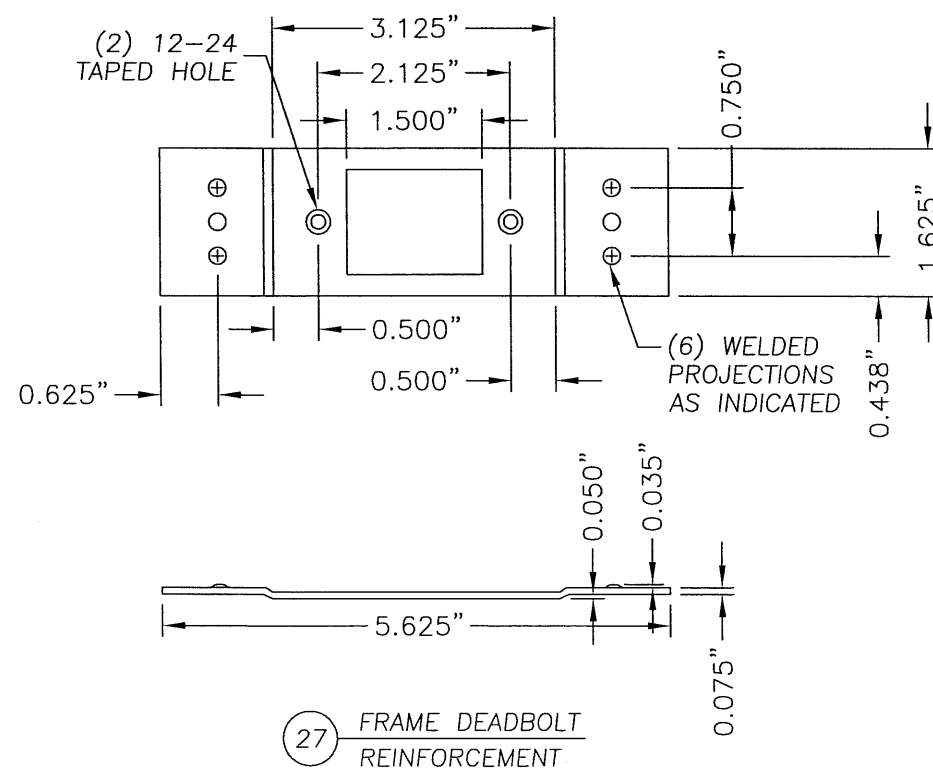
22 STANDARD (LONG) DOOR HINGE  
TOP HINGE REINFORCEMENT



29 FRAME HINGE  
REINFORCEMENT



28 STANDARD (SHORT) DOOR HINGE  
MIDDLE & BOTTOM HINGE REINFORCEMENT



27 FRAME DEADBOLT  
REINFORCEMENT

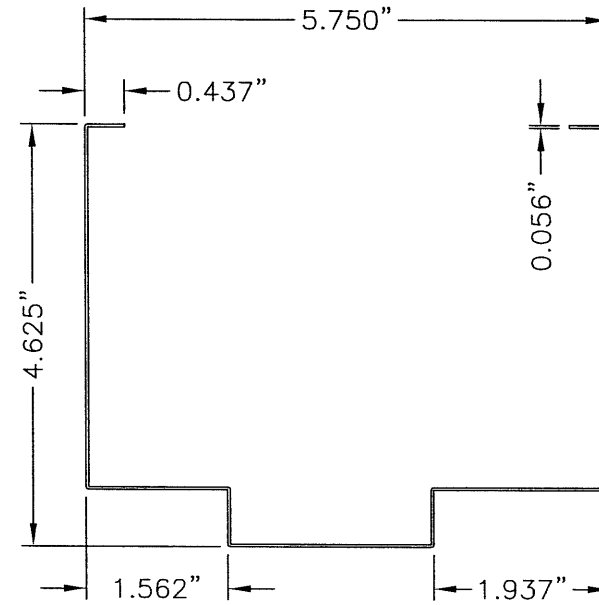
Documents Prepared By:  
**RW** BUILDING CONSULTANTS, INC.  
 P.O. Box 230 Valrico FL, 33595  
 Phone No.: 813.659.9197  
 Florida Board of Professional Engineers  
 Certificate of Authorization No. 9813  
*Wendell W. Haney* 2-7-07  
 Wendell W. Haney, P.E. (No. 54158)

PRODUCT: MESKER "IMPACT"  
 N & D PANELS  
 PART OR ASSEMBLY: COMPONENTS

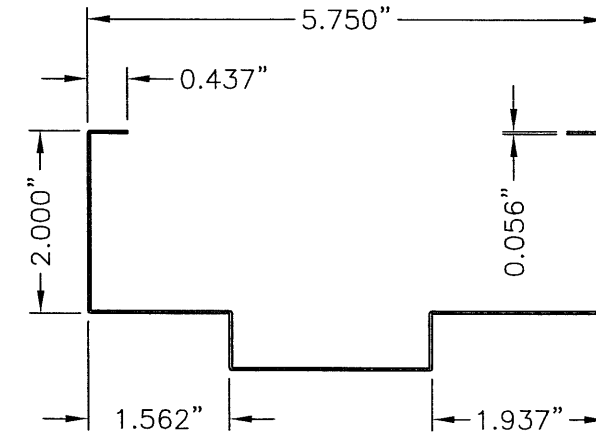
REVISIONS		BY
NO.	DATE	

DATE: 12/13/06  
 SCALE: N.T.S.  
 DWG. BY: AEM  
 CHK. BY: WWH  
 DRAWING NO.: FL-3297  
 SHEET 10 OF 11

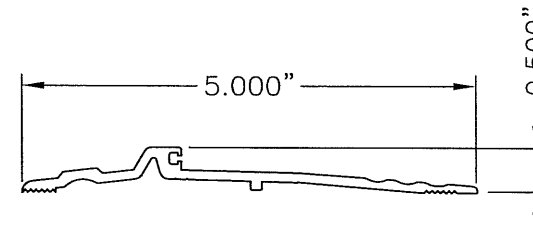
BILL OF MATERIALS		
ITEM	DESCRIPTION	MATERIAL
B	1/4" MAX. SHIM SPACE	WOOD
C	MASONRY	CONCRETE
D	DESIGN HARDWARE D25 DEADBOLT	STEEL
E	DESIGN HARDWARE X82 LOCKSET ASSEMBLY	STEEL
F	LATCH STRIKE PLATE	BRASS
G	DEADBOLT STRIKE PLATE	STEEL
H	VON DUPRIN 99 SERIES PANIC HARDWARE	STEEL
J	RIM PANIC STRIKE PLATE	STEEL
O	#12 X 1" H.H. SELF TAPPING SCREW	STEEL
P	#8 X 3/4" PFH SCREW	STEEL
Q	#12 X 1/2" MACHINE SCREW	STEEL
R	#12 X 3/4" PFH SELF TAPPING MACHINE SCREW	STEEL
T	1/4" X 2-1/4" TAPCON	STEEL
U	5/16" X 3-3/4" H.H. TAPCON	STEEL
V	MASONRY 'TEE' ANCHOR (MESKER PFMT5)	STEEL
W	TUBE ANCHOR	STEEL
X	5/16" X 5" TAPCON	STEEL
1	DOOR STILE EDGE REINFORCEMENT (D DOOR)	STEEL
2	DOOR SKIN (.055" THK. BODY & COVER) (D DOOR)	STEEL
3	FOAM (D DOOR) 1.0 PCF MIN. DENSITY	POLYSTYRENE
4	DOOR TOP & BOTTOM CLOSER (D DOOR)	STEEL
5	LOCK BOX REINFORCEMENT	STEEL
6	CLOSER REINFORCEMENT	STEEL
11	DOOR SKIN (.055" THK. BODY & COVER) (N DOOR)	STEEL
12	FOAM (N DOOR) 1.0 PCF MIN. DENSITY	POLYSTYRENE
13	DOOR TOP & BOTTOM CLOSER (N DOOR)	STEEL
21	HINGE	STEEL
22	STD. (LONG) DOOR HINGE REIN. (TOP HINGE MESKER PDNLHR 450)	STEEL
23	WEATHERSTRIP	FOAM
24	THRESHOLD WEATHERSTRIP (NATIONAL GUARD PRODUCTS, INC. ITEM #33)	VINYL
25	FRAME 5-3/4" MIN. WITH 2" HEAD	STEEL
26	FRAME 5-3/4" MIN. WITH 4" HEAD	STEEL
27	14GA. (.075") C.R.S. 161 DEADBOLT FRAME REINFORCEMENT (PFDBR4)	STEEL
28	STD. (SHORT) DOOR HINGE REIN.(MIDDLE & BOTTOM)MESKER PDNHR450)	STEEL
29	STD. 4-1/2" FRAME HINGE REINFORCEMENT 7GA.(.175" MESKER PF4HR)	STEEL
31	LITE FRAME	STEEL
33	#6 X 2" PFH SCREW	STEEL
34	TREMCO SPECTREM II GLAZING COMPOUND	SILICONE
40	OUTSWING THRESHOLD NATIONAL GUARD PRODUCTS, INC. #896	ALUMINUM
41	OUTSWING THRESHOLD NATIONAL GUARD PRODUCTS, INC. #950	ALUMINUM
51	FRAME REINFORCEMENT	STEEL
G1	9/16" THK. MONOLITHIC, INTERLAYER SAFELEX BY SOLUTIA 1/4" H.S. - .090" PVB INTERLAYER - 1/4" H.S.	GLASS



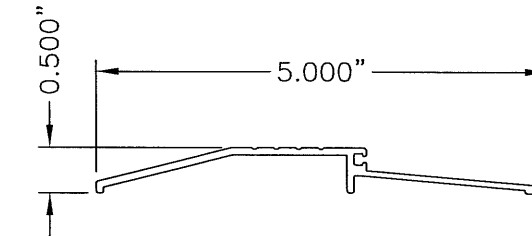
26 FRAME



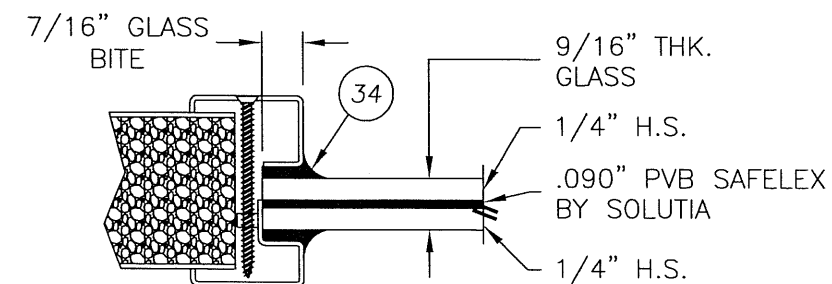
25 FRAME



40 THRESHOLD



41 THRESHOLD



G1 GLAZING DETAIL  
9/16" MONOLITHIC GLASS

Documents Prepared By: **RW BUILDING CONSULTANTS, INC.**  
P.O. Box 230 Vairico FL 33595  
Phone No.: 813.659.9197  
Florida Board of Professional Engineers  
Certificate of Authorization No. 9813  
*Wendell W. Haney* 2-7-07  
Wendell W. Haney, P.E. (No. 54158)

PRODUCT: MESKER N & D PANELS "IMPACT"  
PART OR ASSEMBLY: BILL OF MATERIALS, GLAZING DETAIL & COMPONENTS

NO.	DATE	BY	REVISIONS

DATE: 12/13/06  
SCALE: N.T.S.  
DWG. BY: AEM  
CHK. BY: WWH  
DRAWING NO.: FL-3297  
SHEET 11 OF 11

© 2006 R.W. BUILDING CONSULTANTS INC.