

## GENERAL NOTES

1. Material will be fabricated in accordance with these drawings only after receipt of architect approval and approved hardware schedule with all necessary hardware templates.
2. Doors and frames will be reinforced for surface mounted hardware. Gages of reinforcements will meet or exceed the gages as recommended by The Steel Door Institute. Drilling and tapping for surface applied hardware will be done by others. Doors and frames will be reinforced and prepared for mortise hardware with holes drilled and tapped at factory except trim mounting holes.
3. All doors and frames will be chemically cleaned, phosphorized, and given one coat of baked on shop primer.
4. Refer to detail sheets for jamb, jamb profiles and frame elevations. Frames have weld-in or snap-in anchors to suit wall conditions.
5. Furnishing and installation of all glass and builders hardware to be by others unless otherwise specified.
6. Strike jambs prepared for and furnished with three rubber silencers for field installation.
7. All F series frames shall be K.D. construction. All FDJ shall be (KD) knock down.
8. Hardware locations detailed on these drawings are to this manufacturer's standard locations and are for the standard types of hardware.
9. All Fire rated units shall be "FM" (Factory Mutual) and "U.L." (Underwriters Lab).

## LEGEND

### FRAMES

575	=	5 3/4" FRAME DEPTH
587	=	5 7/8" FRAME DEPTH
562	=	5 5/8" FRAME DEPTH
C	=	STEEL STUD ANCHOR
F	=	STANDARD FRAME SERIES
F-CO	=	STANDARD FRAME CASED OPEN
FDJ	=	DRYWALL FRAME SERIES

### METAL DOORS

NP	=	SWINGER SERIES - POLYSTYRENE CORE
NP-G	=	SWINGER SERIES - POLYSTYRENE CORE GALV.
NPH	=	HONEYCOMB
NPU	=	URETHANE
NPF	=	FIBERBOARD
BRA	=	BULLET RESISTANT
SRA	=	STILE AND RAIL



LINE NO.	ARCH NO.	LOCATION		QUANTITY			SIZE			FRAME				LABEL	DOOR			HDWE SET	REMARKS
		FROM	TO	LH	RH	PR	WIDTH	HEIGHT	THICK	ELEV	SERIES	DEPTH	GA		SERIES	ELEV	GA		
1																			
2																			
3																			
4																			
5																			
6																			
7																			
8																			
9																			
10																			
11																			
12																			
13																			
14																			
15																			
16																			
17																			
18																			
19																			
20																			



**MESKER**

The oldest hollow metal door company in America

**DETAILS**

FORM SD3

PROJECT \_\_\_\_\_  
 ORDER \_\_\_\_\_ DATE \_\_\_\_\_  
 PREPARED BY \_\_\_\_\_ SHEET \_\_\_ OF \_\_\_



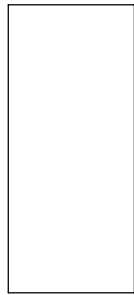
**MESKER**

The oldest hollow metal door company in America

**DETAILS**

**FORM SD3**

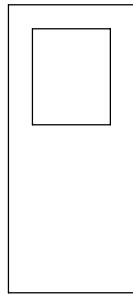
PROJECT \_\_\_\_\_  
ORDER \_\_\_\_\_ DATE \_\_\_\_\_  
PREPARED BY \_\_\_\_\_ SHEET \_\_\_ OF \_\_\_



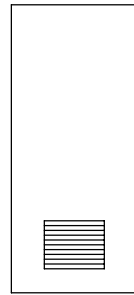
F



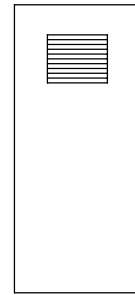
V



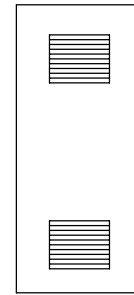
G



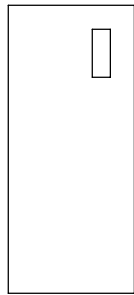
LI



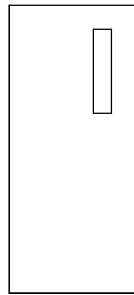
TLI



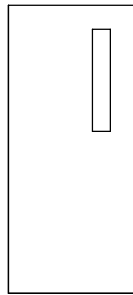
LLI



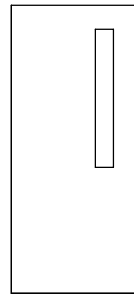
N1



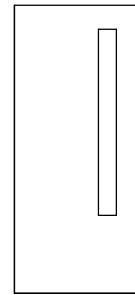
N2



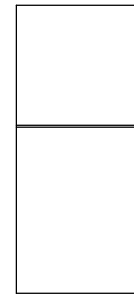
N3



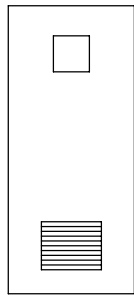
N4



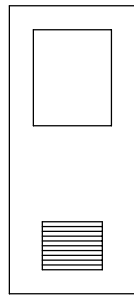
N5



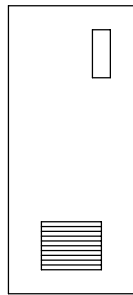
D



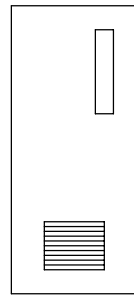
VLI



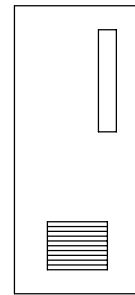
GLI



N1LI



N2LI



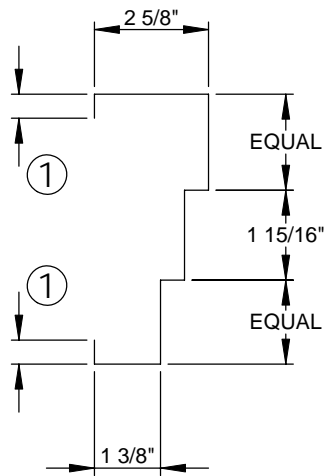
N3LI



**MESKER**  
The oldest hollow metal door company in America

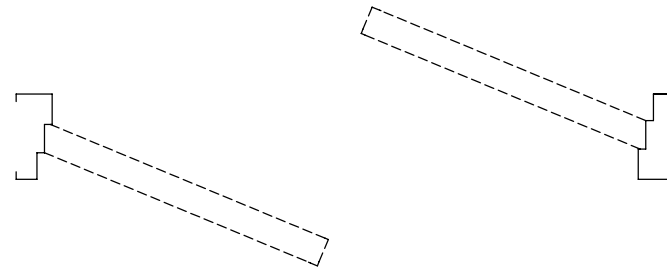
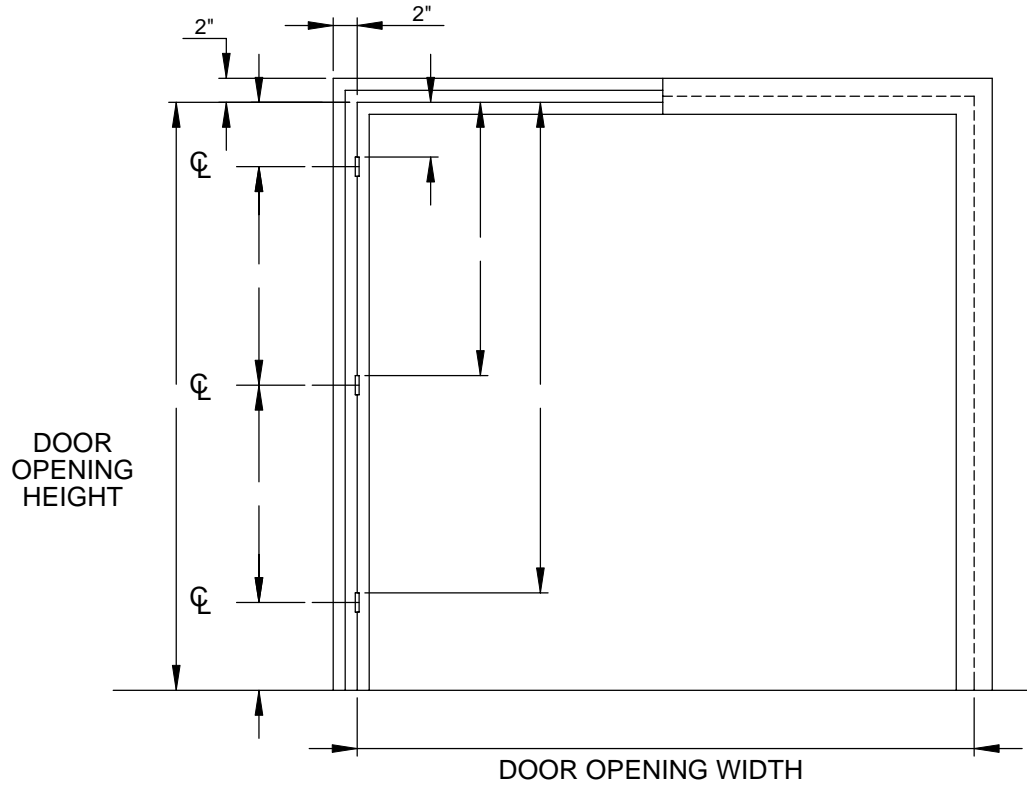
**DETAILS**

PROJECT \_\_\_\_\_  
ORDER \_\_\_\_\_ DATE \_\_\_\_\_  
PREPARED BY \_\_\_\_\_ SHEET \_\_\_ OF \_\_\_

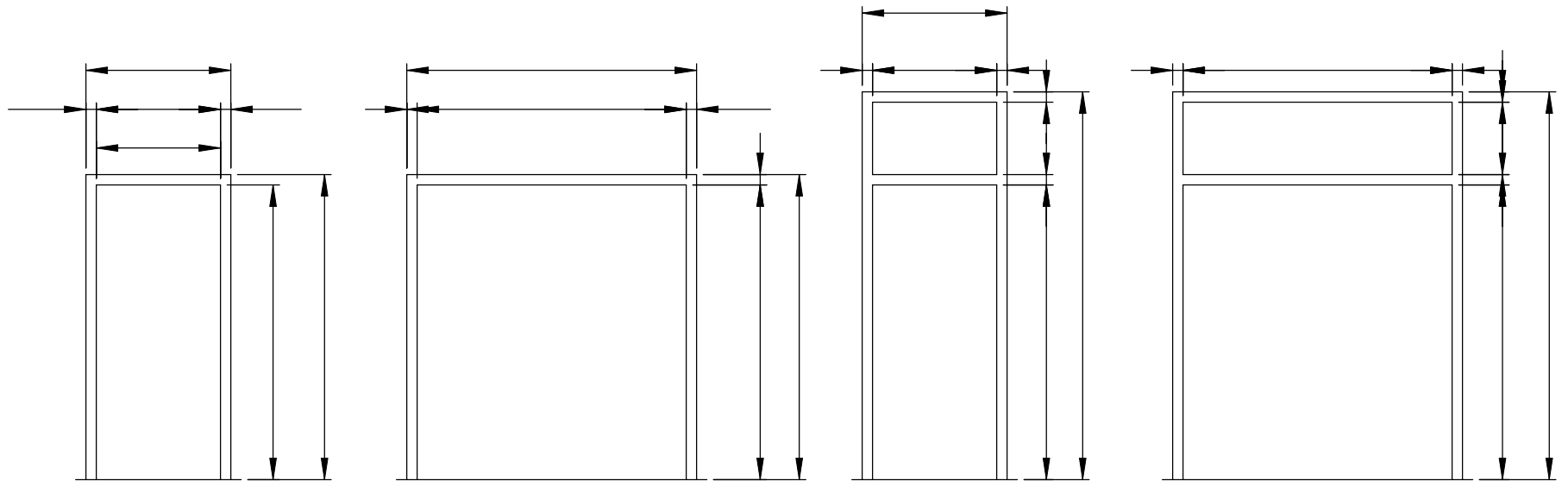


SECTION A-A  
JAMB & HEADER

- ① RETURNS
- 7/16" FOR 5 3/4"
- 1/2" ALL OTHERS



RH SHOWN

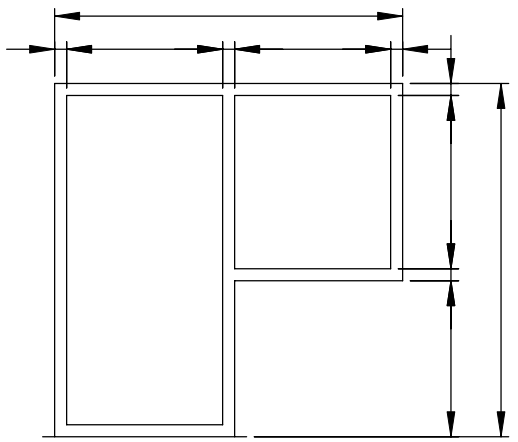


TYPE 1

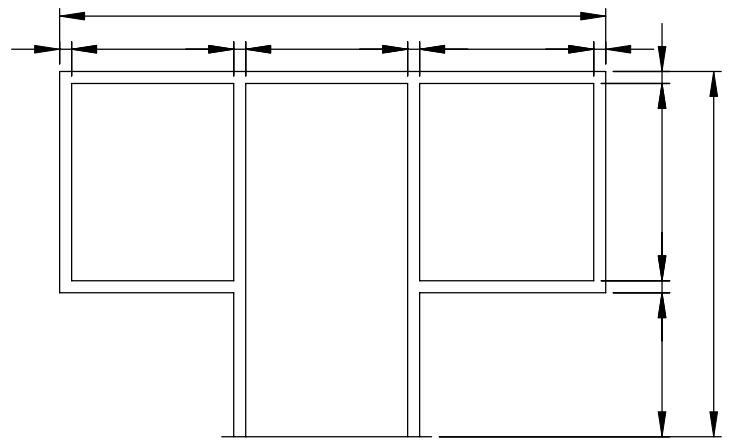
TYPE 2

TYPE 3

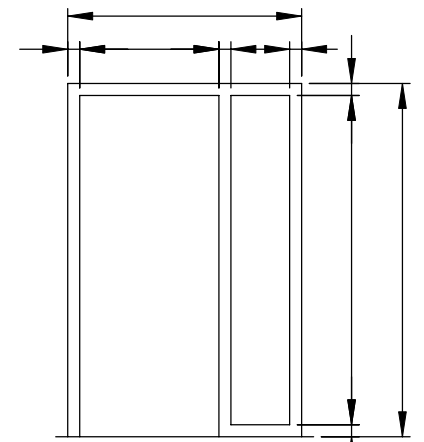
TYPE 4



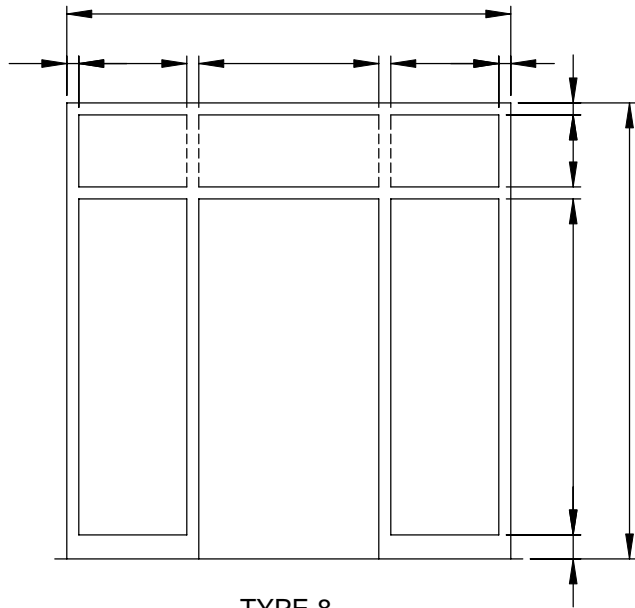
TYPE 5  
TYPE 5A (OPP.HAND)



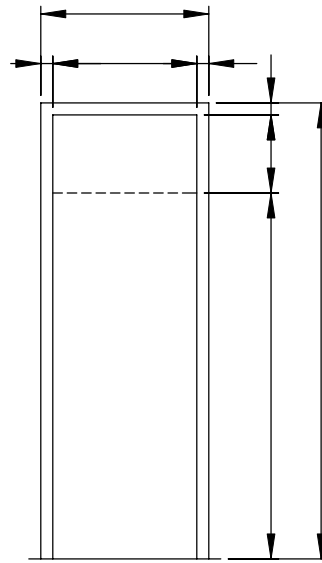
TYPE 6



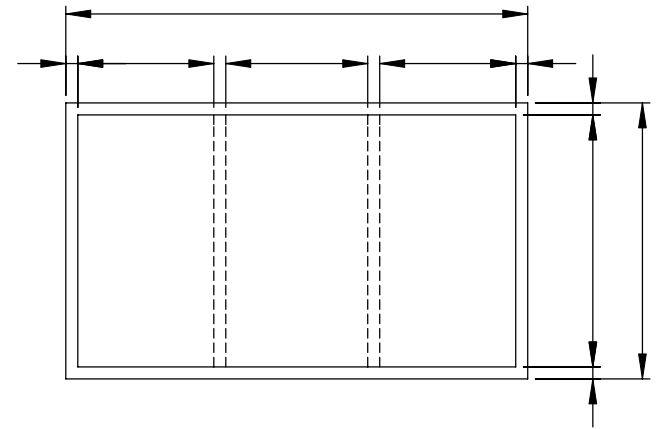
TYPE 7  
TYPE 7A (OPP.HAND)



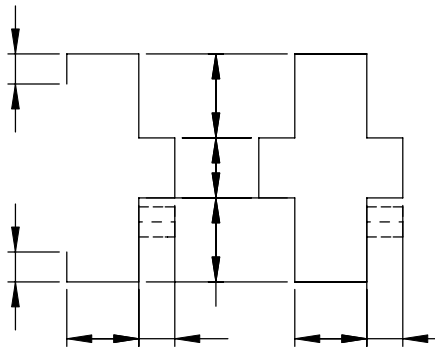
TYPE 8



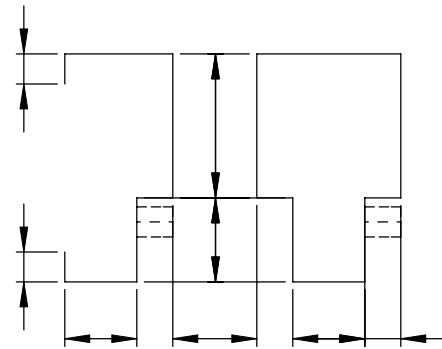
TYPE 9



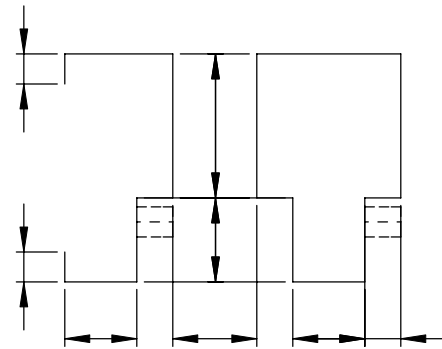
TYPE 10



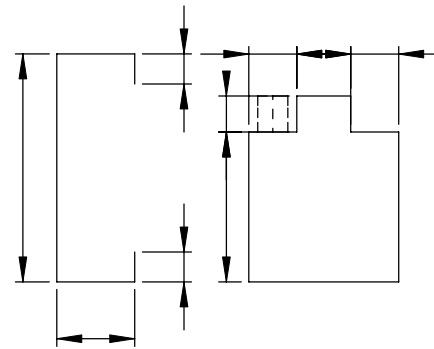
A



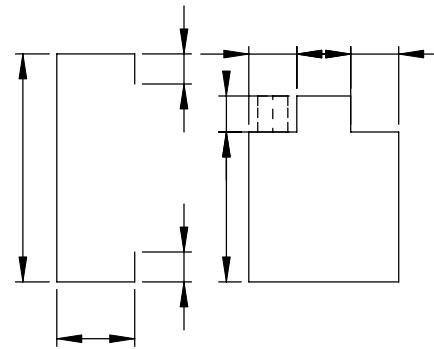
B



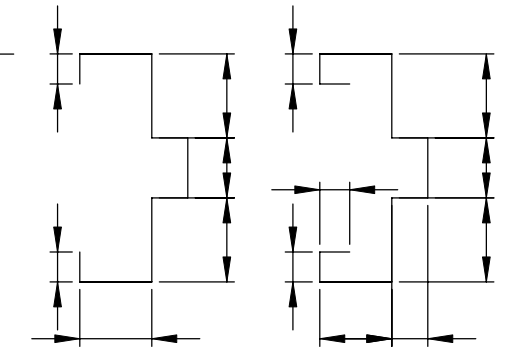
C



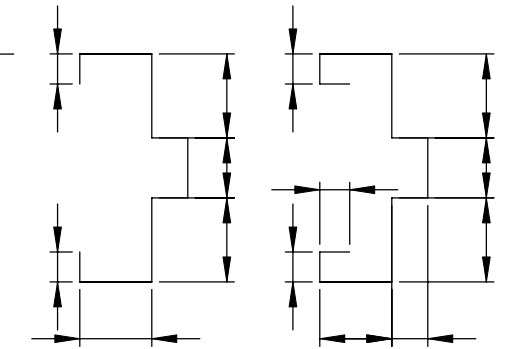
D



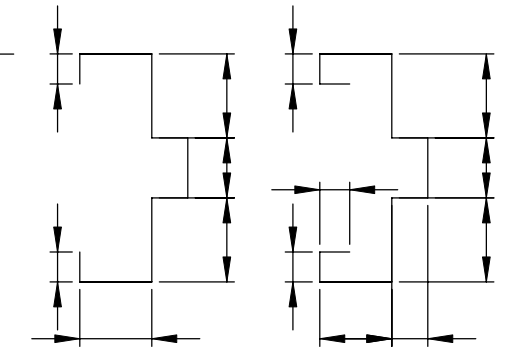
E



F



G



H

PROFILE

PROJECT

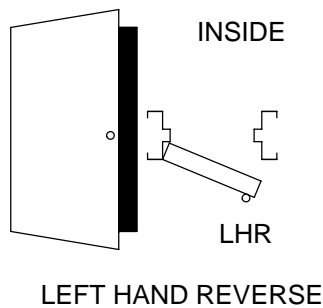
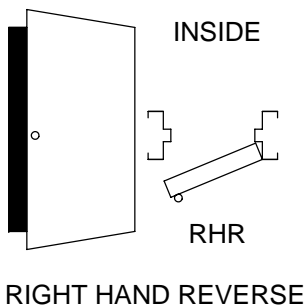
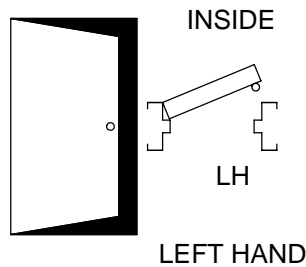
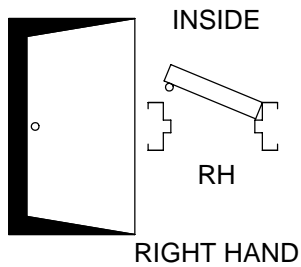
LOCATION

ARCHITECT

CONTRACTOR

DISTRIBUTOR

HANDING CHART



REVISIONS	DATE

APPROVAL

- APPROVED
  - APPROVED AS NOTED
  - NOT APPROVED - RESUBMIT
- BY \_\_\_\_\_



**MESKER**  
The oldest hollow metal door company in America

GENERAL INFORMATION

PROJECT \_\_\_\_\_  
 ORDER \_\_\_\_\_ DATE \_\_\_\_\_  
 PREPARED BY \_\_\_\_\_ SHEET \_\_\_ OF \_\_\_